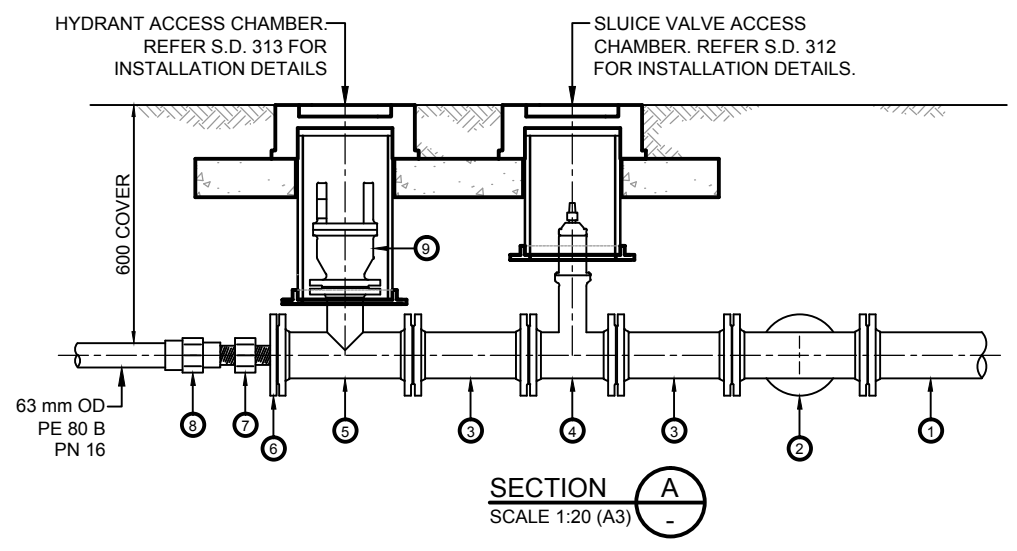
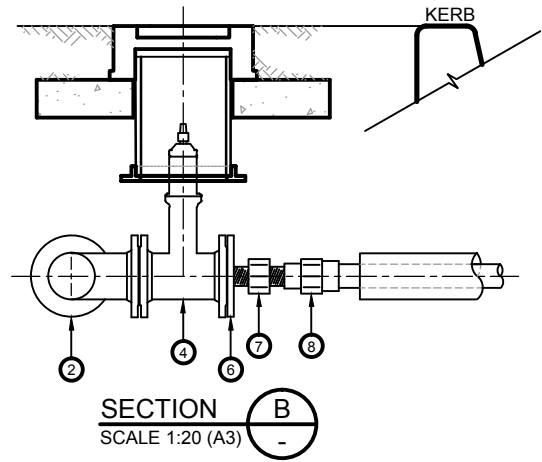


CUL-DE-SAC PLAN
SCALE: NOT TO SCALE

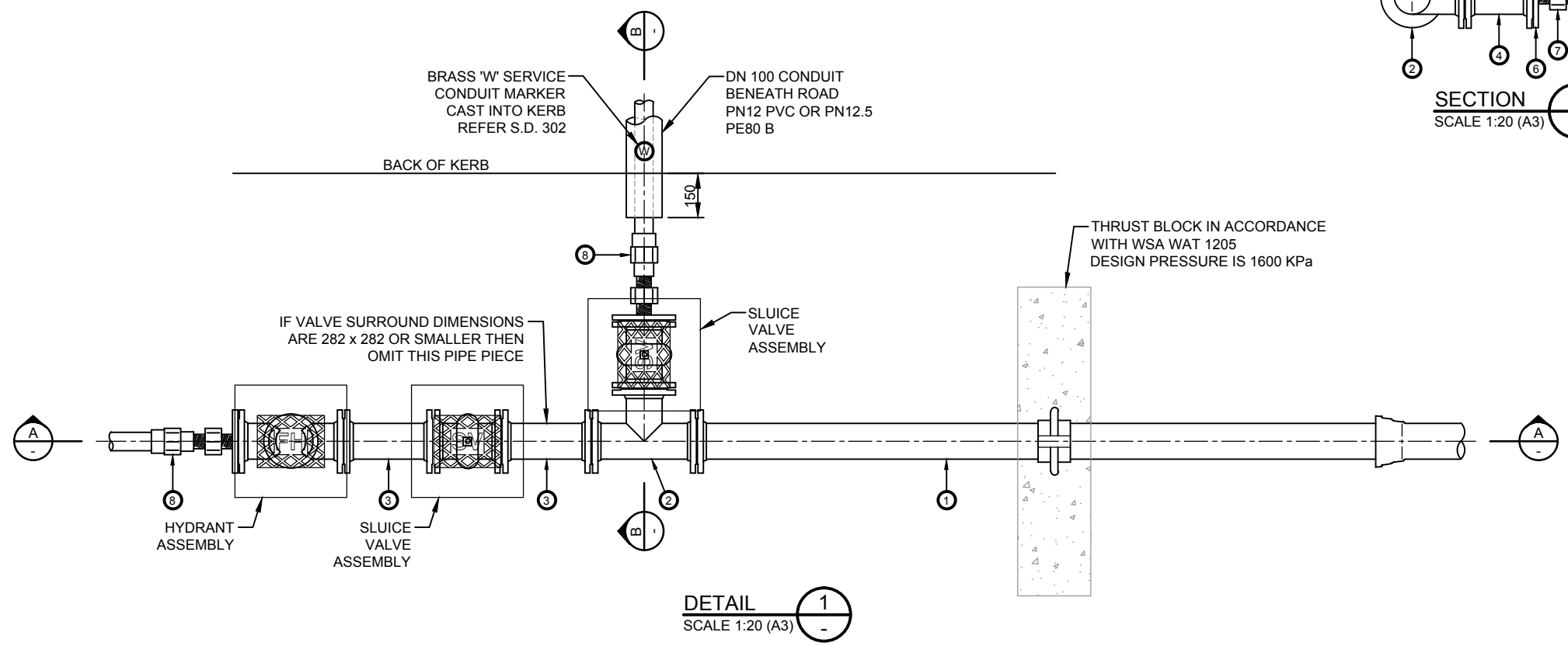


SECTION A
SCALE 1:20 (A3)



SECTION B
SCALE 1:20 (A3)

PIPE WORK SCHEDULE	
ITEM	DESCRIPTION
1	DN 100 DICL FL-SP PIPE 2400 LONG WITH PUDDLE FLANGE PLACED CENTRAL
2	DN 100 DICL FL TEE
3	DN 100 DICL FL-FL PIPE 300 LONG
4	DN 100 DICL FL RESILIENT SEATED VALVE, FBN COATED
5	DN 100 x 80 FL HYDRANT TEE
6	DN 100 BLANK FLANGE FBN COATED TAPPED TO 50mm BSP.
7	DN 50 BRASS NIPPLE
8	DN 50-63 PE FEMALE ADAPTER (PLASSON OR APPROVED EQUIVALENT)
9	DN 80 SPRING HYDRANT FBE COATED (SWABBING TYPE)



DETAIL 1
SCALE 1:20 (A3)

NOTES:

- ALL PIPE FITTINGS TO COMPLY WITH TSC SPECIFICATION D11 - WATER SUPPLY.
- ALL BOLTS TO BE SS316. NUTS AND WASHERS TO BE SS304. ANTI-SEIZE PASTE TO BE APPLIED TO THREADS.
- BOLTS AND FLANGES TO BE WRAPPED WITH DENSO TAPE.
- A MAXIMUM OF 10 PROPERTY SERVICE CONNECTIONS ARE PERMITTED OFF THE 63mm PE MAIN.
- MAXIMUM LENGTH OF 63mm PE MAIN TO BE 100m.
- DICL PIPE TO BE WRAPPED IN POLYETHYLENE SLEEVING.
- MINIMUM COVER TO CONDUIT BENEATH ROAD TO BE 600mm.
- WHERE DRAINAGE LINKS OR PEDESTRIAN ACCESS EXISTS BETWEEN CUL-DE-SACS, A WATER MAIN LINKING WITH 100mm SHOULD BE UTILISED & THE LOOP MAIN NOT INSTALLED.

C	NOTES AMENDED & PLAN FORM UPGRADED	G.P.C.	06.2015
B	NOTE No.8	G.P.C.	05.2009
A	ORIGINAL ISSUE	G.P.C.	06.2006
ISSUE	AMENDMENT DETAILS	INITIALS	DATE

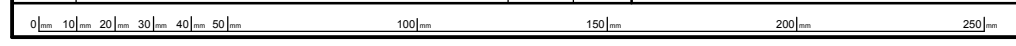


DESIGN UNIT
COUNCIL OFFICES
TUMBULGUM ROAD,
MURWILLUMBAH,
NEW SOUTH WALES 2464
PHONE 02 6670 2400
FAX 02 6672 7513
WEBSITE www.tweed.nsw.gov.au

DESIGN ENGINEER	<i>Alan</i>	DATE	11.05.15
DESIGN MANAGER	<i>P. May</i>	DATE	22.05.15
DRAWN	ENGINEERING & OPERATIONS DESIGN UNIT		
SCALE	AS SHOWN		

PROJECT:	WATER SUPPLY STANDARDS
PLAN TITLE:	WATER RETICULATION LAYOUT CUL-DE-SACS

DRAWING NUMBER:	S.D. 301
	JUNE 2015



ACAD FILE No: G:_AAA TSC STANDARD DRAWINGS\300 WATER SUPPLY\S.D.301 (June-15 Rev C).dwg