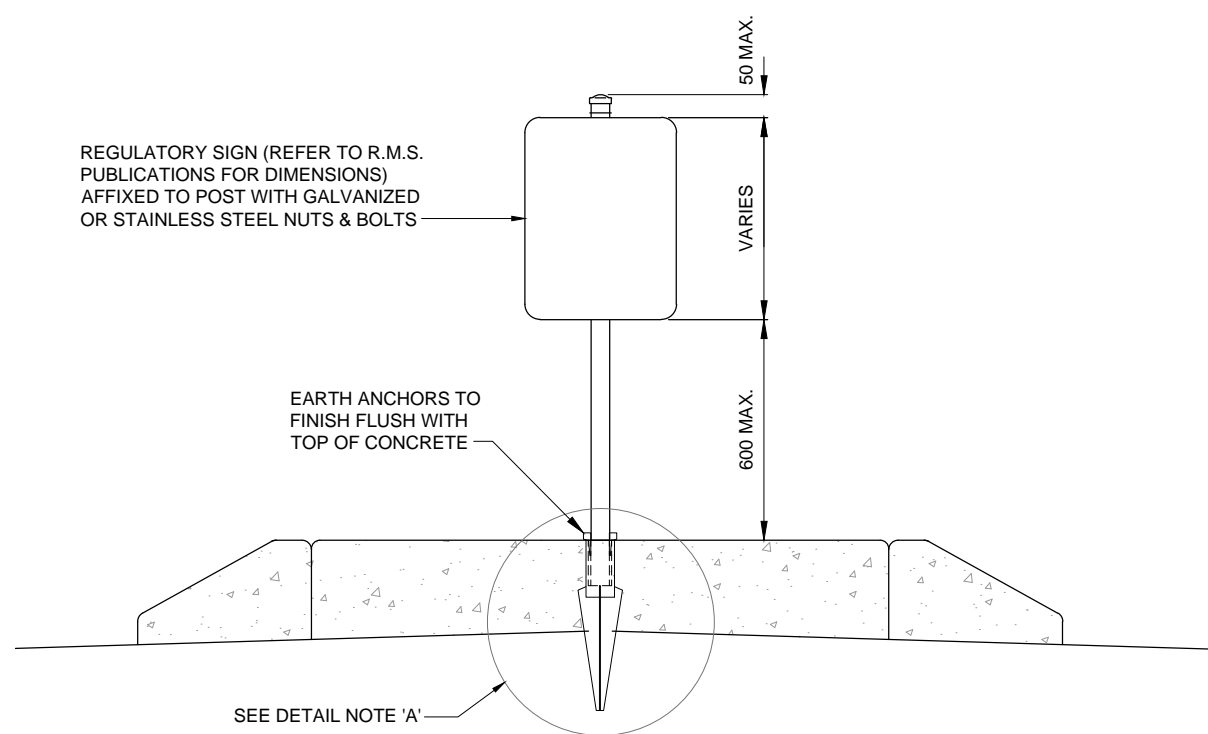
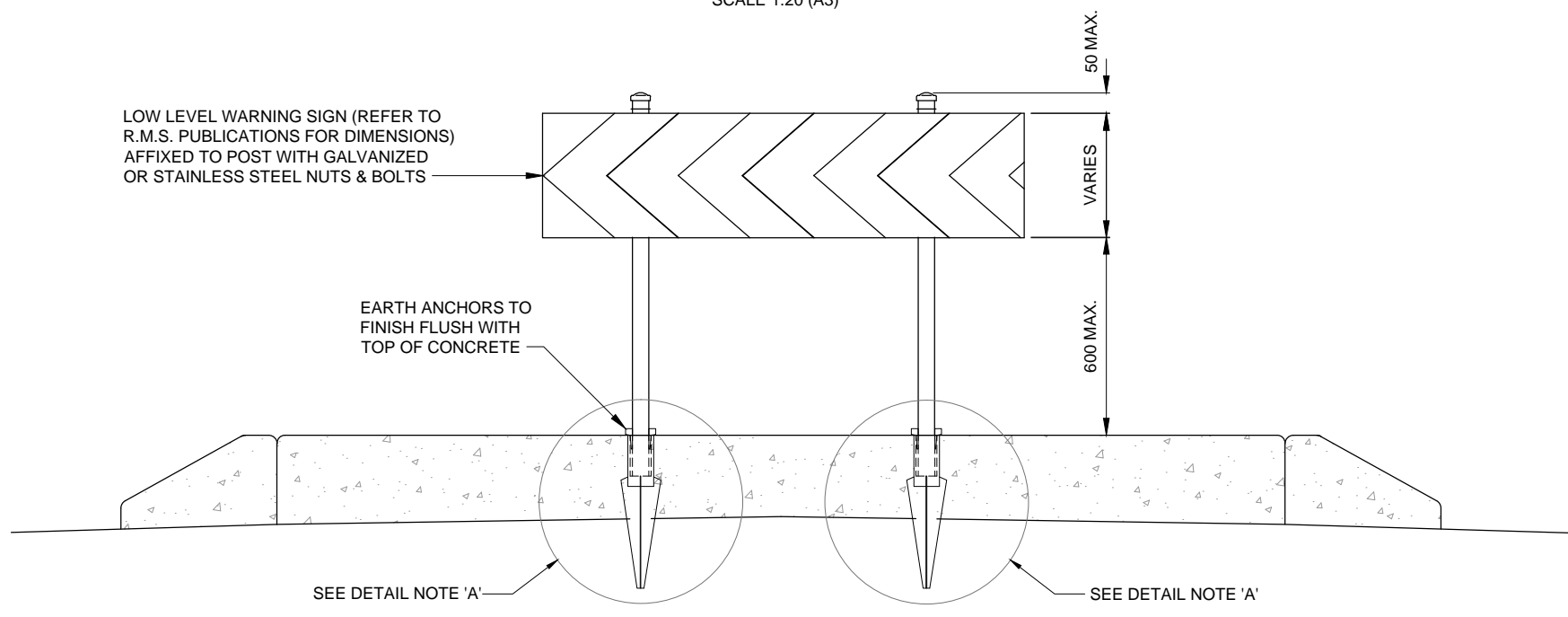


ROAD SIGNS
SCALE 1:20 (A3)

NOTE :
A. 600mm LONG GALVANIZED STEEL EARTH ANCHOR MAY BE USED WITHOUT A CONCRETE SURROUND IN UNDISTURBED CLAYS OR FIRM COHESIVE SOILS, BUT SHALL NOT BE USED IN DISTURBED, SOFT OR SANDY SOILS. ('OZPOST' 'S' TYPE & PIN OR APPROVED EQUIVALENT)



MEDIAN
SCALE 1:20 (A3)



ROUNDABOUT
SCALE 1:20 (A3)

- NOTES:**
1. ALL SIGNS SHALL COMPLY WITH A.S.1742.5
 2. CONCRETE SURROUND TO BE N20 IN ACCORDANCE WITH AS1379 & AS3600

C	NOTES AMENDED & PLAN FORM UPGRADED	A.R.	12.2015
B	ADOPTED FOR ISSUE TO PUBLIC	R.A.E.	05.2004
A	ORIGINAL ISSUE	R.A.E.	04.2004
ISSUE	AMENDMENT DETAILS	INITIALS	DATE

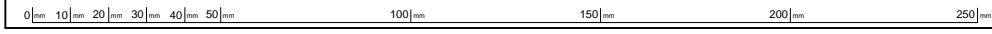


DESIGN UNIT
COUNCIL OFFICES
TUMBULGUM ROAD,
MURWILLUMBAH,
NEW SOUTH WALES 2484
PHONE 02 6670 2400
FAX 02 6672 7513
WEBSITE www.tweed.nsw.gov.au

DESIGN ENGINEER	<i>W. Boyd</i>	DATE 02.10.15
DESIGN MANAGER	<i>P. Meyer</i>	DATE 02.10.15
DRAWN	ENGINEERING & OPERATIONS DESIGN UNIT	
SCALE	AS SHOWN	

PROJECT:	STREET FURNITURE STANDARDS
PLAN TITLE:	REGULATORY SIGN ERECTION DETAILS

DRAWING NUMBER:	S.D.403
	DEC 2015



ACAD FILE No: G:\AAA STANDARD DRAWINGS\400 STREET FURNITURE\S.D.403 (July-15 Rev C).dwg