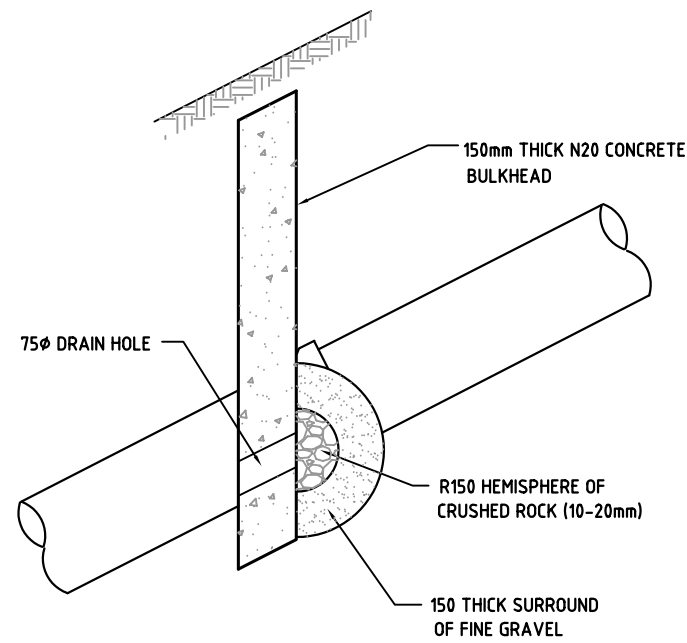
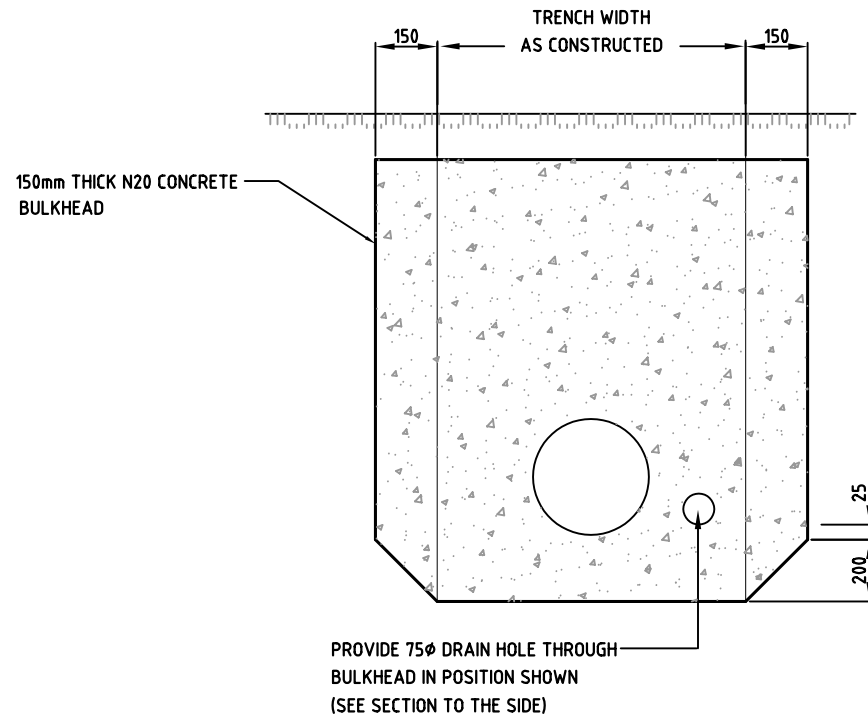


CONCRETE BEDDING
NOT TO SCALE



SECTION THROUGH DRAINHOLE



ELEVATION

BULKHEAD DETAIL
NOT TO SCALE

BULKHEADS TO BE USED WHERE PIPE GRADE EXCEEDS 15%

B	DRAWINGS ADOPTED FOR ISSUE TO PUBLIC	R.A.E.	5.2004
A	RE-ISSUED	R.A.E.	4.2004
ISSUE	AMENDMENT DETAILS	INITIALS	DATE



TWEED SHIRE COUNCIL
PLANNING AND DESIGN UNIT

COUNCIL OFFICES
TUMBULGUM ROAD,
MURWILLUMBAH,
NEW SOUTH WALES, 2484

PHONE MURWILLUMBAH 02 66720400
FAX MURWILLUMBAH 02 66727513
EMAIL imunro@tweed.nsw.gov.au

DESIGN ENGINEER (SIGNED)	<i>[Signature]</i>	DATE	5.2004
PLANNING & DESIGN MGR.	<i>[Signature]</i>	DATE	5.2004
DESIGNED	R.A.E.	2.2004	DESIGN NO.
DRAWN	R.A.E.	2.2004	SURVEY NO.
CHECKED	W.B.	2.2004	REDUCTION RATIO
HORIZONTAL DATUM			
VERTICAL DATUM			

PROJECT:	STORMWATER STANDARDS
PLAN TITLE:	CONCRETE BEDDING & BULKHEAD DETAILS

DRAWING NUMBER:	S.D.107
SHEET 1 OF 1 SHEETS	ISSUE A B