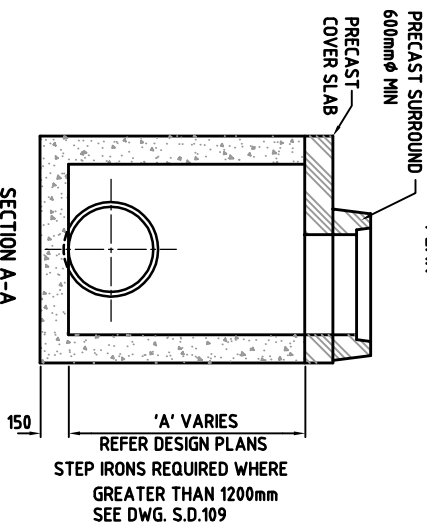
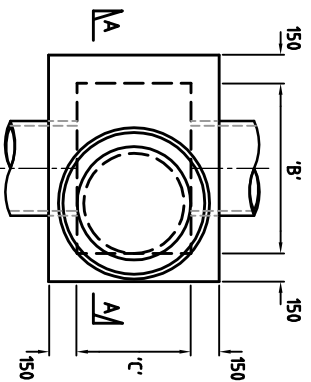


PIT Dia.	PIPE Dia.
1050	UP TO 750 ϕ
1200	UP TO 900 ϕ
1800	UP TO 1350 ϕ

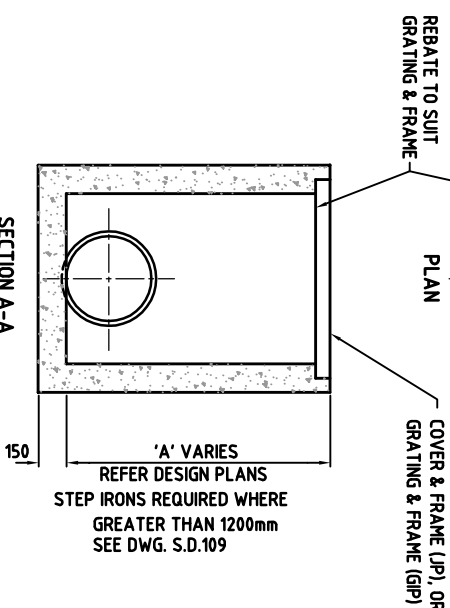
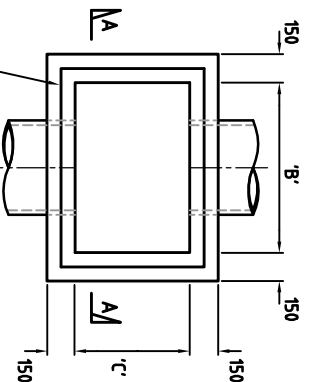
NOTE: FOR PIPES GREATER THAN 1350 ϕ , SQUARE OR RECTANGULAR MANHOLE REQUIRED.

CIRCULAR STORMWATER MANHOLE
NTS



'A' VARIES
REFER DESIGN PLANS
STEP IRONS REQUIRED WHERE
GREATER THAN 1200mm
SEE DWG. S.D.109

RECTANGULAR STORMWATER MANHOLE
NTS



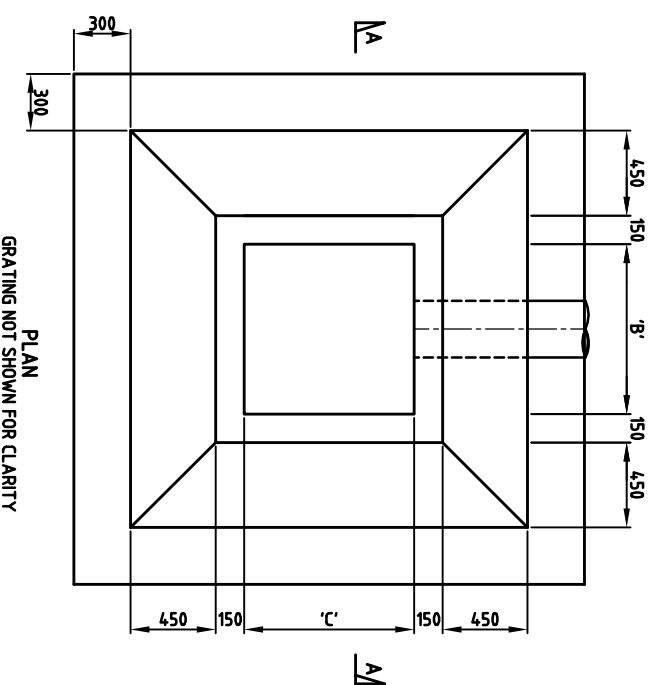
'A' VARIES
REFER DESIGN PLANS
STEP IRONS REQUIRED WHERE
GREATER THAN 1200mm
SEE DWG. S.D.109

JUNCTION PIT(JP)/GRADED INLET PIT(GIP)
NTS

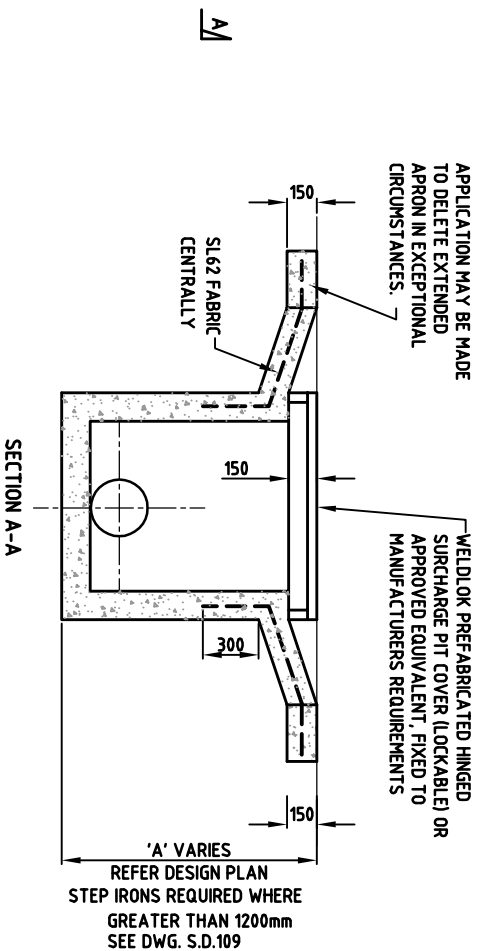
MINIMUM PIT DIMENSIONS

DEPTH 'A'	MIN. SIZE	DIM. 'B'	DIM. 'C'
600mm OR LESS	600mm x 600mm	600mm	600mm
OVER 600mm	900mm x 600mm	PIPE ϕ PLUS 300mm	PIPE ϕ PLUS 300mm

- NOTES**
1. FOR DIMENSIONS 'A', 'B' & 'C', PIPE SIZE & CONFIGURATION & INVERT LEVELS, REFER TO DESIGN PLANS.
 2. CLASS OF LID/COVER/GRADE TO BE IN ACCORDANCE WITH AS3996, EXCEPT THAT CLASS 'A' COVERS WILL NOT BE ACCEPTED
 3. CONCRETE GRADE TO BE N32 TO AS3600
 4. SIDE WALLS OF PITS DEEPER THAN 1500 TO BE REINFORCED WITH ONE LAYER OF SL82 PLACED CENTRALLY AND RETURNED 300 INTO PIT BASE.
 5. CAST INSITU PIT DEPTH IS NOT TO EXCEED 3500.



PLAN
GRATING NOT SHOWN FOR CLARITY



'A' VARIES
REFER DESIGN PLAN
STEP IRONS REQUIRED WHERE
GREATER THAN 1200mm
SEE DWG. S.D.109

FIELD INLET PIT - SURCHARGE PIT COVER
NTS



REV	DESCRIPTION	DATE	BY	CHECKED
7	TITLE SURCHARGE PIT AMENDED	G.P.C. 01.10.2010		
6	STEP IRON REQUIRED AT 1200mm	G.P.C. 3.2009		
5	PIT & PIPE DIA. TABLE ADDED	N.R. 3.2009		
4	FIELD INLET TYPE 1 DELETED, GENERALLY UPGRADED	R.A.E. 10.2004		
3	DRAWINGS ADAPTED FOR ISSUE TO PUBLIC	R.A.E. 5.2004		
2	REV. ISSUED	R.A.E. 4.2004		
1	AMENDMENT DETAILS	INITIALS	DATE	



Tweed Shire Council
DESIGN UNIT
COUNCIL OFFICES
TUMBUUMBAH ROAD,
MURWILLUMBAH,
NEW SOUTH WALES, 2484

PHONE 02 66722400
FAX 02 66727313
WWW.tweed.nsw.gov.au

DESIGN ENGINEER	CHECKING ENGINEER	DATE
<i>[Signature]</i>	<i>[Signature]</i>	5/2004
DESIGNED	R.A.E. 2.2004	DESIGN NO.
DRAWN	R.A.E. 2.2004	SURVEY NO.
CHECKED	W.B. 2.2004	REDUCTION RATIO
VERTICAL DATE		PH

PROJECT:	DRAWING NUMBER:
STORMWATER STANDARDS	S.D.106
MANHOLES, FIELD INLET PITS & GRADED INLET/ JUNCTION PIT DETAILS	SHEET 1 OF 1 SHEETS
ACAD TITLE No	ISSUE
G:\TSC STANDARD DRAWINGS\S.D.DRAWINGS\100STORMWATER\S.D.106_REV_7_JANUARY_2010.DWG	1