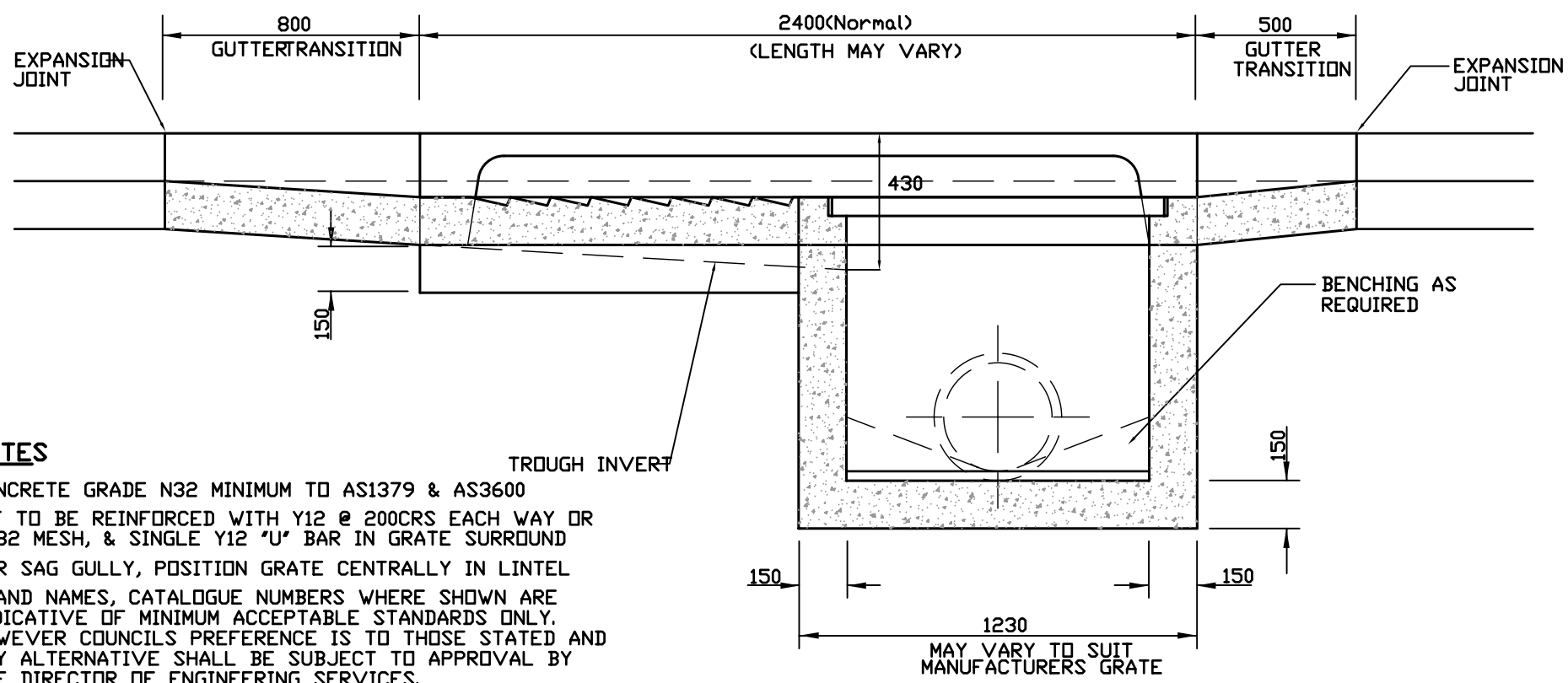
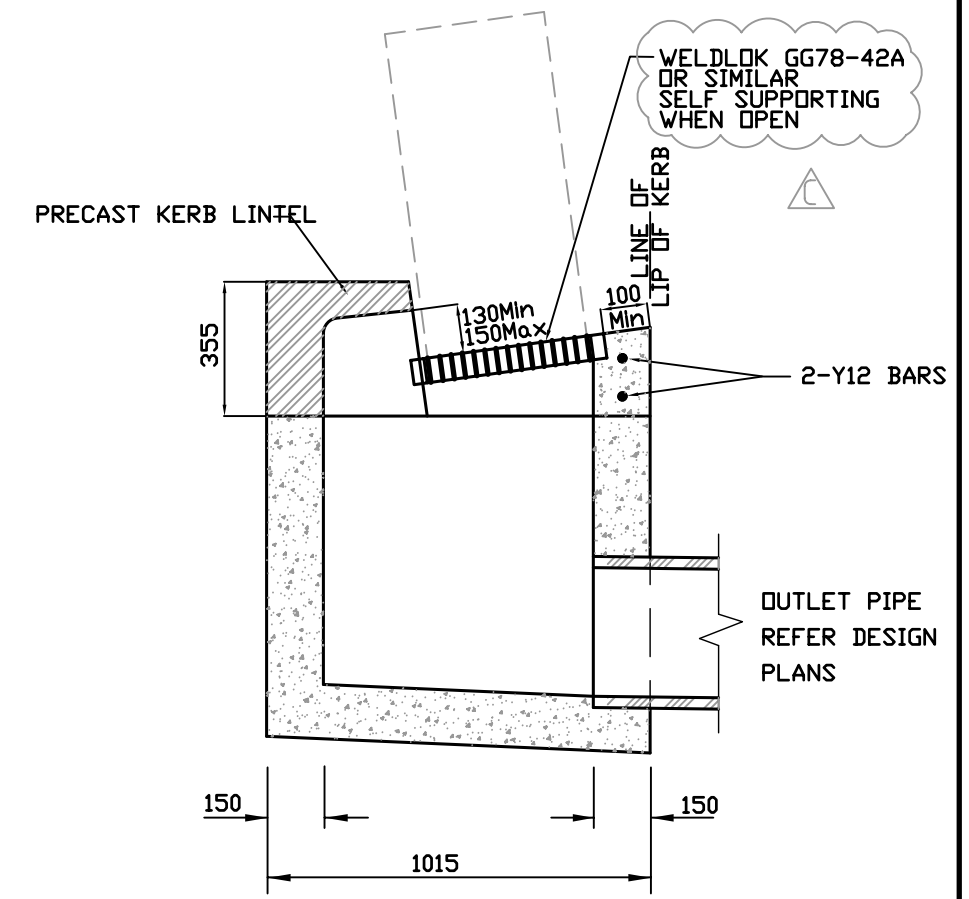


SECTION A-A



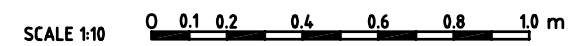
SECTIONAL ELEVATION C-C



SECTION B-B

NOTES

- 1 CONCRETE GRADE N32 MINIMUM TO AS1379 & AS3600
- 2 PIT TO BE REINFORCED WITH Y12 @ 200CRS EACH WAY OR SL82 MESH, & SINGLE Y12 'U' BAR IN GRATE SURROUND
- 3 FOR SAG GULLY, POSITION GRATE CENTRALLY IN LINTEL
- 4 BRAND NAMES, CATALOGUE NUMBERS WHERE SHOWN ARE INDICATIVE OF MINIMUM ACCEPTABLE STANDARDS ONLY. HOWEVER COUNCILS PREFERENCE IS TO THOSE STATED AND ANY ALTERNATIVE SHALL BE SUBJECT TO APPROVAL BY THE DIRECTOR OF ENGINEERING SERVICES.
- 5 GRATE LOAD CAPACITY TO BE CLASS 'C' OR GREATER IN ACCORDANCE WITH AS3996-1992
- 6 GRATE PATTERN TO PREVENT BICYCLE TYRE CAPTURE
- 7 PIT DEPTH SHALL NOT EXCEED 3500



<p>TWEED SHIRE COUNCIL DESIGN UNIT</p> <p>COUNCIL OFFICES TUMBULGUM ROAD, MURWILLUMBAH, NEW SOUTH WALES, 2484</p> <p>PHONE MURWILLUMBAH 02 66702400 FAX MURWILLUMBAH 02 66727513 WEBSITE www.tweed.nsw.gov.au</p>		<p>DESIGN ENGINEER DATE 8.2004</p> <p>CHECKING ENGINEER DATE 8.2004</p> <p>DESIGNED R.A.E. 2.2004 DESIGN NO.</p> <p>DRAWN R.A.E. 2.2004 SURVEY NO.</p> <p>CHECKED W.B. 2.2004</p> <p>HORIZONTAL DATUM ISG REDUCTION RATIO PH</p> <p>VERTICAL DATUM AHD EN</p>	<p>PROJECT: STORMWATER STANDARDS</p> <p>PLAN TITLE: STANDARD GULLY PIT - BARRIER KERB</p> <p>ACAD FILE No G:\TSC STANDARD DRAWINGS\S.D.DRAWINGS\100STORMWATER\S.D.104.DWG</p>	<p>DRAWING NUMBER: S.D.104</p> <p>SHEET 1 OF 1 SHEETS</p> <p>ISSUE A B C</p>
<p>C NOTATION ON GRATE TYPE G.P.C. 08.2006</p> <p>B DRAWINGS ADOPTED FOR ISSUE TO PUBLIC R.A.E. 5.2004</p> <p>A RE-ISSUED R.A.E. 4.2004</p> <p>ISSUE AMENDMENT DETAILS INITIALS DATE</p>				