

**GENERAL NOTES:**

1. THE VENT PIPE DIAMETER IS TO BE EQUAL TO OR GREATER THAN THE DIAMETER OF THE INCOMING SEWER.
2. DISCHARGE CHAMBERS - REFER PROJECT DRAWINGS.
3. BACKFILL IN VENT TRENCH SHALL BE COMPACTED TO AT LEAST THE SAME DENSITY AS THE SURROUNDING SOIL.
4. ALL STEELWORK TO BE FULLY HOT DIP GALVANIZED AFTER FABRICATION TO AS/NZS 4680.
5. ALL STEEL PLATES TO CONFORM TO AS/NZS3678 GRADE 250 U.N.O.
6. ALL STEEL BARS AND SECTIONS TO CONFORM TO AS/NZS 3679 GRADE 250 U.N.O.
7. ALL WELDS TO CONFORM TO AS/NZS 1554 PART 1.
8. ALL NUTS, BOLTS AND WASHERS TO BE STAINLESS STEEL GRADE 316 U.N.O.
9. ALL TAPER LOCK JOINT LENGTHS ARE NOMINAL U.N.O.
10. ANTI-GALLING LUBRICANT 'LOCTILE 222 OR 567' OR SIMILAR APPROVED SHALL BE USED ON ALL THREADS AND BETWEEN ALL STAINLESS STEEL ABUTTING SURFACES.
11. VENT POLE TO BE POWDER COATED - FINISH - 'MATT', COLOUR - 'DARK GREEN'.
12. ALL DIMENSIONS IN MILLIMETRES.

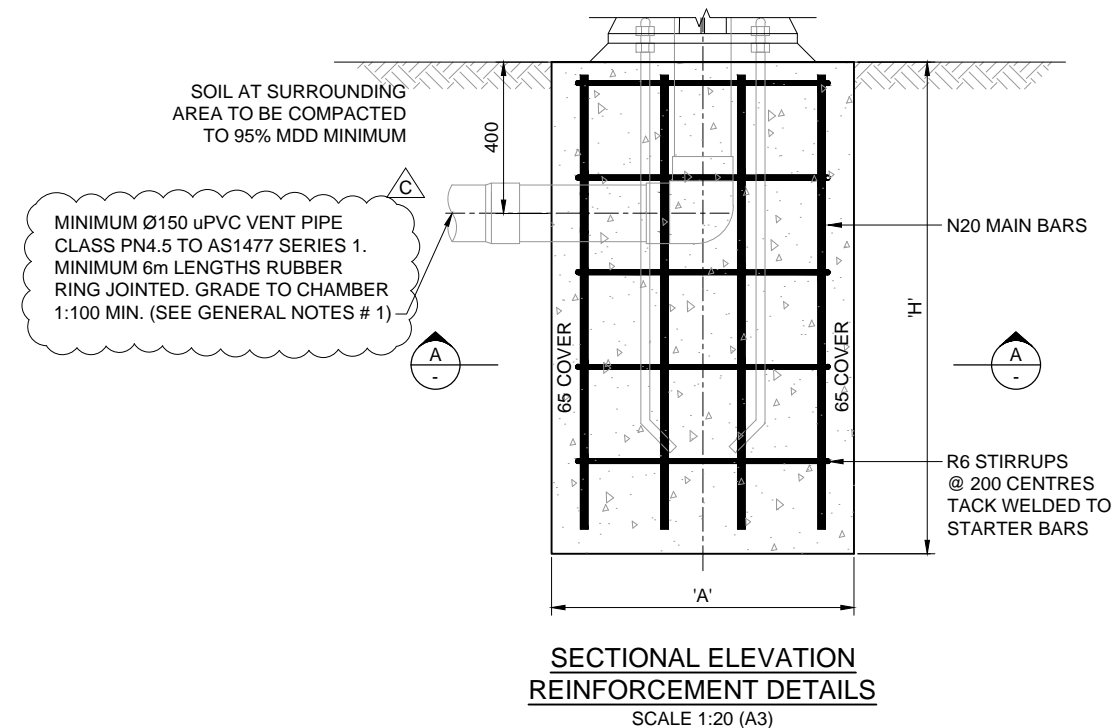
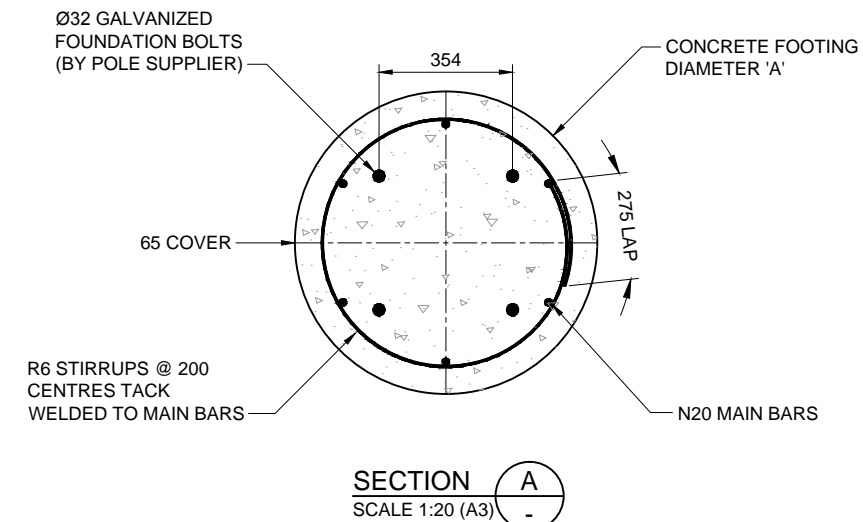
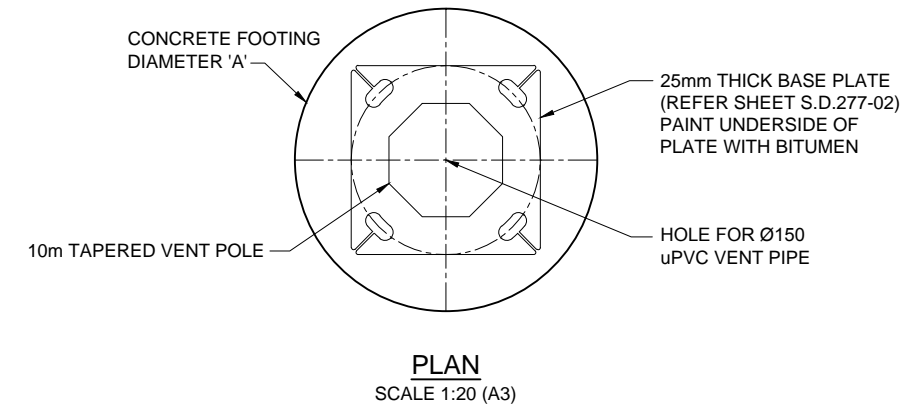
**FOOTING NOTES:**

1. THIS FOOTING DRAWING IS NOT APPROVED FOR USE UNLESS CERTIFIED BY THE ENGINEER FOR THE SITE.
2. SPECIAL FOOTING DESIGN MAY BE REQUIRED FOR INSTALLATIONS AT OR NEAR THE CREST OF HILLS.
3. FOOTING DIMENSIONS SHOWN FOR TAPERED 165-300 COLUMN. LARGER DIAMETER VENT PIPES REQUIRE SPECIAL FOOTING DESIGN.
4. CONCRETE N32MPa, SUPPLY AND LAY TO AS3600. 65mm MINIMUM COVER TO ALL REINFORCING. LAP HD BOLTS WITH MAIN BARS.
5. PREPARE SITE SUCH THAT SURFACE RUNOFF CANNOT DRAIN OVER OR POND ADJACENT TO FOUNDATIONS.
6. REFER TO TABLE FOR FOOTING DIMENSIONS FOR VARIOUS SOIL TYPES.

**POLE INSTALLATION NOTES:**

1. BEFORE INSTALLATION OF POLES, ADJUST ALL LEVELING NUTS TO LEVEL FIRST.
2. PLACE POLE ON LEVELING NUTS AND LOCK WITH LOCKING NUTS AND WASHERS.
3. FILL GAP BETWEEN FLANGE PLATE OF POLE AND CONCRETE FOOTING WITH 40MPa NON-SHRINK GROUT.
4. THE uPVC VENT PIPE IS TO PROTRUDE AT LEAST 50mm ABOVE THE TOP OF THE COLUMN. FILL THE ANNULUS AROUND THE TOP OF THE COLUMN WITH AN ALL WEATHER SEALANT.
5. PROVIDE A DRAINAGE POINT AT THE BASE OF THE COLUMN.

TYPICAL SOIL TYPE	REQUIRED SOIL BEARING CAPACITY (Kpa)	FOOTING DIMENSIONS	
		A (Øm)	H (m)
DENSE CLEAN SAND	50.0	1.00	1.50
		BEARING AREA (m <sup>2</sup> )	
		1.50	
SAND OR GRAVEL BONDED WITH CLAY,	100.0	0.80	1.30
		BEARING AREA (m <sup>2</sup> )	
		1.04	
HARD CLAY, SOUND ROCK	200.0	0.70	1.10
		BEARING AREA (m <sup>2</sup> )	
		0.77	



ISSUE	AMENDMENT DETAILS	INITIALS	DATE
C	VENT PIPE SIZE AMENDED	A.K.R.	14.09.15
B	NOTES & TITLE AMENDED	G.P.C.	14.01.13
A	ORIGINAL ISSUE	G.P.C.	31.07.12



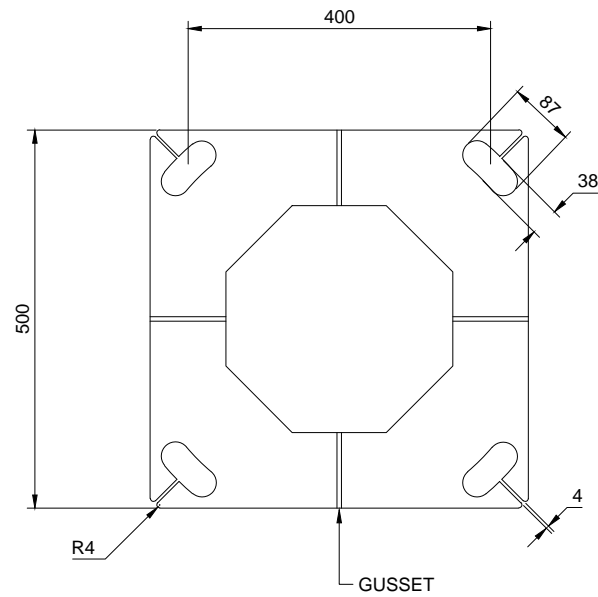
**DESIGN UNIT**  
 COUNCIL OFFICES  
 TUMBULGUM ROAD,  
 MURWILLUMBAH,  
 NEW SOUTH WALES 2484  
 PHONE 02 6670 2400  
 FAX 02 6672 7513  
 WEBSITE www.tweed.nsw.gov.au

DESIGN ENGINEER	<i>Adw</i>	DATE 14.09.15
DESIGN MANAGER	<i>P.Hay</i>	DATE 14.09.15
DRAWN	ENGINEERING & OPERATIONS DESIGN UNIT	
SCALE	AS SHOWN	

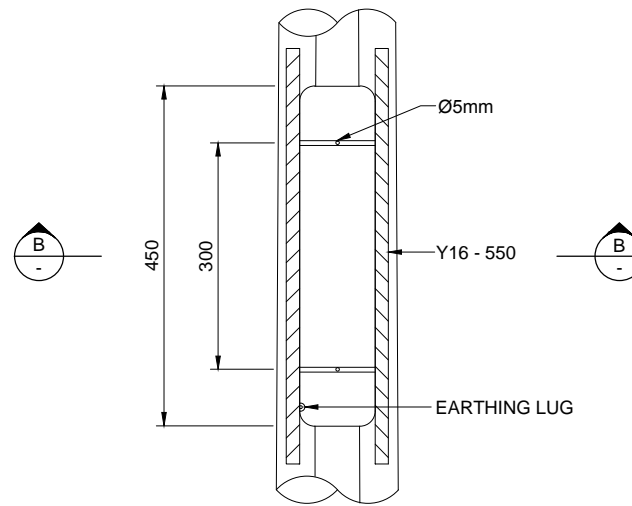
PROJECT:	<b>SEWERAGE WORKS STANDARDS</b>	DRAWING NUMBER:	<b>S.D. 277-01</b>
PLAN TITLE:	<b>10m VENT STACK FOR SEWERS UP TO Ø150mm (SHEET 1 OF 2 SHEETS)</b>		<b>SEP 2015</b>

ACAD FILE No: G:\\_AAA TSC STANDARD DRAWINGS\200 SEWERAGE WORKS\S.D.277 (Jan-13 Rev B).dwg

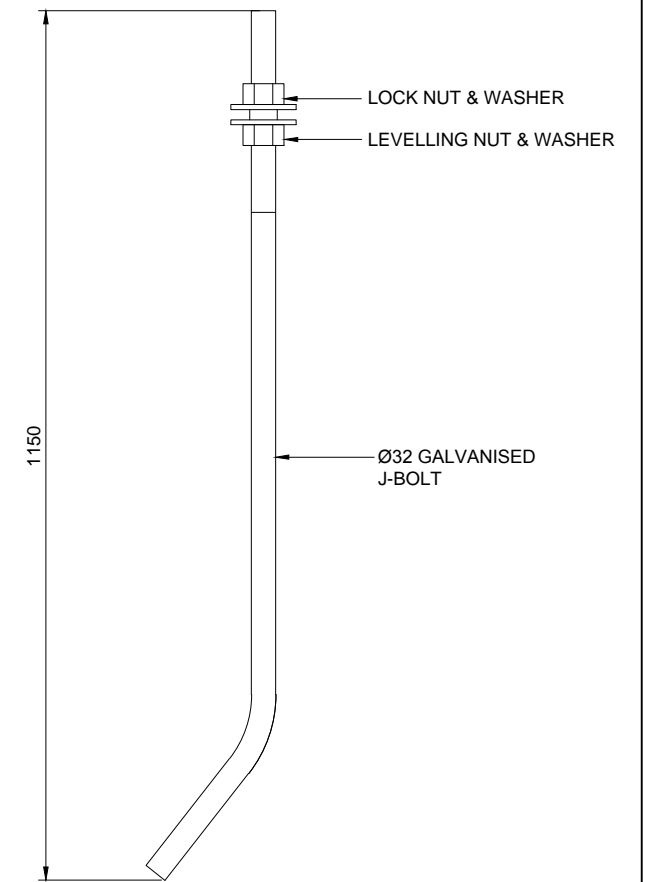
0 10 20 30 40 50 100 150 200 250



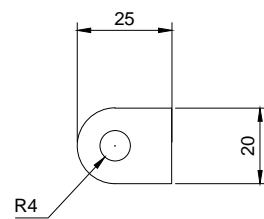
**25mm THICK BASE PLATE**  
SCALE 1:10 (A3)



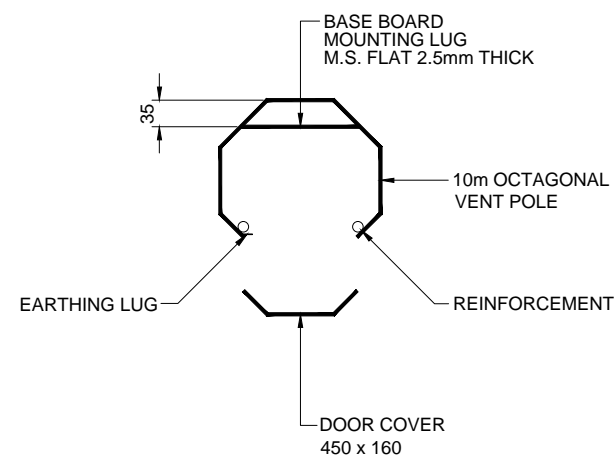
**SERVICE DOOR DETAIL**  
SCALE 1:10 (A3)



**J-BOLT**  
SCALE 1:10 (A3)



**EARTHING LUG**  
SCALE 1:2 (A3)



**SECTION B**  
SCALE 1:10 (A3)

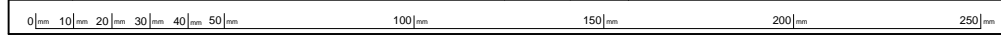
A	ORIGINAL ISSUE	G.P.C.	31.07.12
ISSUE	AMENDMENT DETAILS	INITIALS	DATE



**DESIGN UNIT**  
COUNCIL OFFICES  
TUMBULGUM ROAD,  
MURWILLUMBAH,  
NEW SOUTH WALES 2484  
PHONE 02 6670 2400  
FAX 02 6672 7513  
WEBSITE www.tweed.nsw.gov.au

DESIGN ENGINEER	<i>[Signature]</i> DATE 08.08.12
DESIGN MANAGER	<i>[Signature]</i> DATE 08.08.12
DRAWN	ENGINEERING & OPERATIONS DESIGN UNIT
SCALE	AS SHOWN

PROJECT:	<b>SEWERAGE WORKS STANDARDS</b>	DRAWING NUMBER:	<b>S.D. 277-02</b>
PLAN TITLE:	<b>10m VENT STACK FOR SEWERS UP TO Ø150mm (SHEET 2 OF 2 SHEETS)</b>		<b>JAN 2013</b>



ACAD FILE No: G:\\_AAA TSC STANDARD DRAWINGS\200 SEWERAGE WORKS\S.D.277 (Jan-13 Rev B).dwg