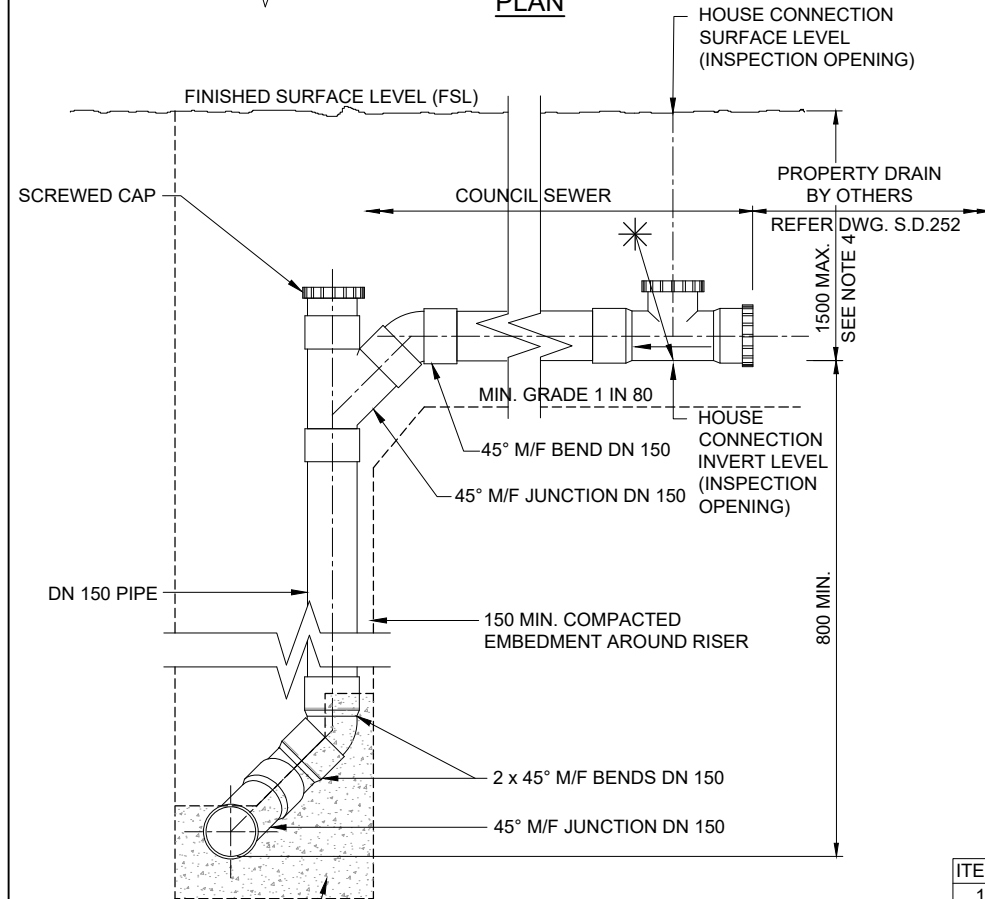


PLAN



**VERTICAL BRANCH ELEVATION
TYPE 'C1'- SINGLE CONNECTION**

NOTES

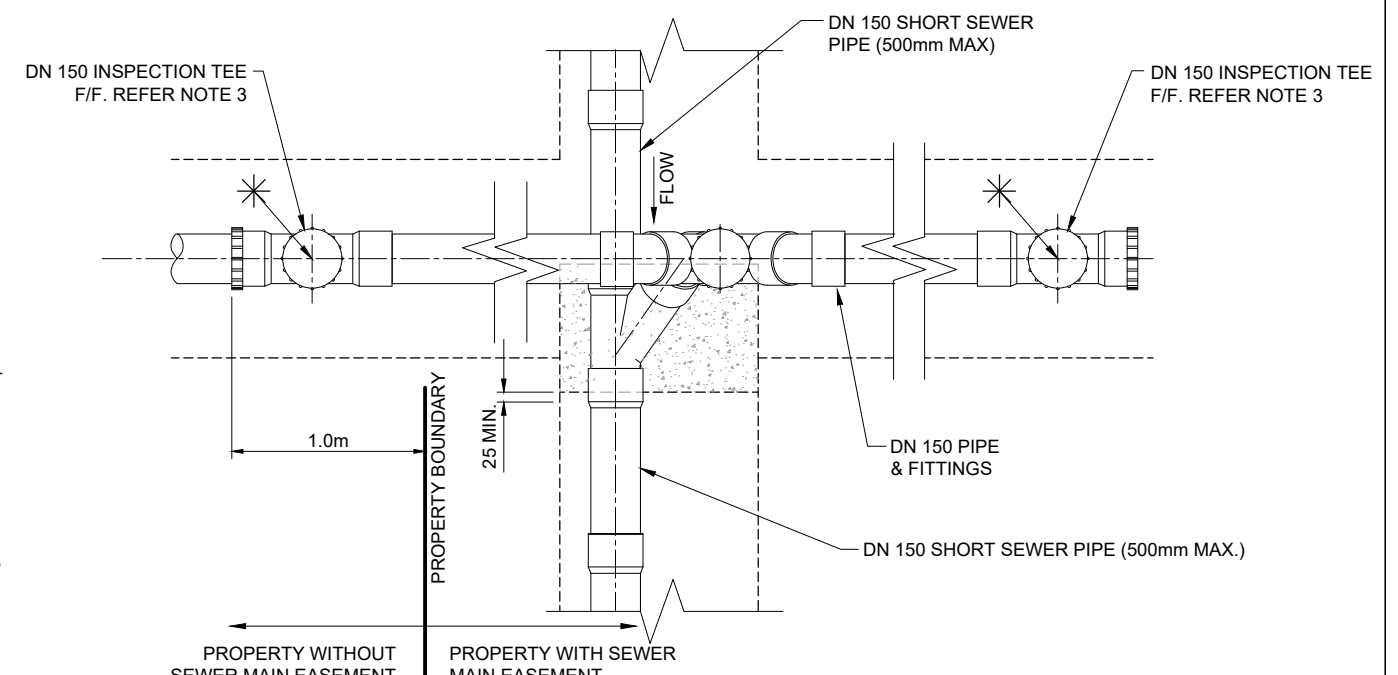
- DN MEANS NOMINAL DIAMETER.
- ALL PROPERTY SEWER CONNECTION BRANCHES SHALL HAVE A MIN GRADE OF 1 IN 80.
- ALL PROPERTY SEWER CONNECTION BRANCHES SHALL FINISH WITH AN INSPECTION TEE WITH THE END AND INSPECTION OPENING HAVING A SCREWED CAP AT THE INVERT LEVEL SHOWN ON THE DRAWINGS.
- PLUMBER TO INSTALL SHAFT AS PER S.D.252 WHEN CONNECTING PROPERTY. DEPTH OF THE INVERT OF THE INSPECTION TEE SHALL BE NO GREATER THAN 1.5m UNLESS A GREATER DEPTH IS REQUIRED TO SERVICE A MINIMUM OF 90% OF EACH LOT IN ACCORDANCE WITH THE REQUIREMENT OF AS/NZS 3500.2.2018 SECTION 4.
- THE MINIMUM DEPTH OF THE SOFFIT CONNECTION POINT SHALL BE 1.2m OR IN ACCORDANCE WITH WSA02-2014-3.1 CLAUSE 5.6.5 SUBJECT TO APPROVAL OF THE DIRECTOR.
- LOCATION OF INSPECTION TEE SHALL BE:
 - WHERE PUBLIC SEWER IS LOCATED WITHIN THE PROPERTY BEING SERVED:
 - FOR EXISTING DWELLINGS, AT THE MOST PRACTICAL POINT INSIDE THE PROPERTY BOUNDARY TO FACILITATE THE CONNECTION, CONSIDERING TOPOGRAPHY AND THE MOST LIKELY POSITION OF SEWER DRAINAGE OUTLETS.
 - WHERE PUBLIC SEWERS ARE NOT LOCATED WITHIN THE PROPERTY BEING SERVED, THE INSPECTION TEE SHALL BE LOCATED 1.0m INSIDE THE PROPERTY BOUNDARY TO FACILITATE THE CONNECTION, CONSIDERING TOPOGRAPHY AND THE MOST LIKELY POSITION OF SEWER DRAINAGE OUTLETS.
- BEDDING MATERIAL SHALL COMPLY WITH THE REQUIREMENTS OF COUNCIL'S STANDARD SPECIFICATION C402.
- CONCRETE SUPPORTS SHALL BE N20 AND COMPACTED TO 45° JUNCTIONS AND PIPES. THE SUPPORTS SHALL FORM THE TRENCH WALLS AND FLOOR TO THE TOP OF THE PIPE AS SHOWN.
- THE PROPERTY CONNECTION POINTS SHALL CONFORM WITH COUNCIL'S STANDARD SPECIFICATION C402.
- THESE DETAILS ARE APPLICABLE TO SEWER MAINS FROM DN150 TO DN300 INCLUSIVE.
- ALL DIMENSIONS ARE IN MILLIMETRES.
- ALL PUBLIC PROPERTY SEWER CONNECTIONS ARE DN150 MIN.
- ALL PIPEWORK AND FITTINGS TO BE RUBBER RING JOINTS (R.R.J).
- NO PROPERTY SEWER CONNECTION LINE SHALL BE LONGER THAN 10m.
- PROPERTY SEWER CONNECTIONS ARE NOT PERMITTED ON SEWERS OF DN300 OR LARGER. AN ADDITIONAL SMALLER DIAMETER PUBLIC SEWER LINES TO BE PROVIDED FOR SUCK CONNECTIONS.
- ALL COUNCIL PIPEWORK TO BE S.N.8 OR GREATER IF OTHERWISE SPECIFIED.
- WORKS AS EXECUTED IDENTIFICATION POINT SHOWN THUS *

PARTS LIST-TYPE 'C1'

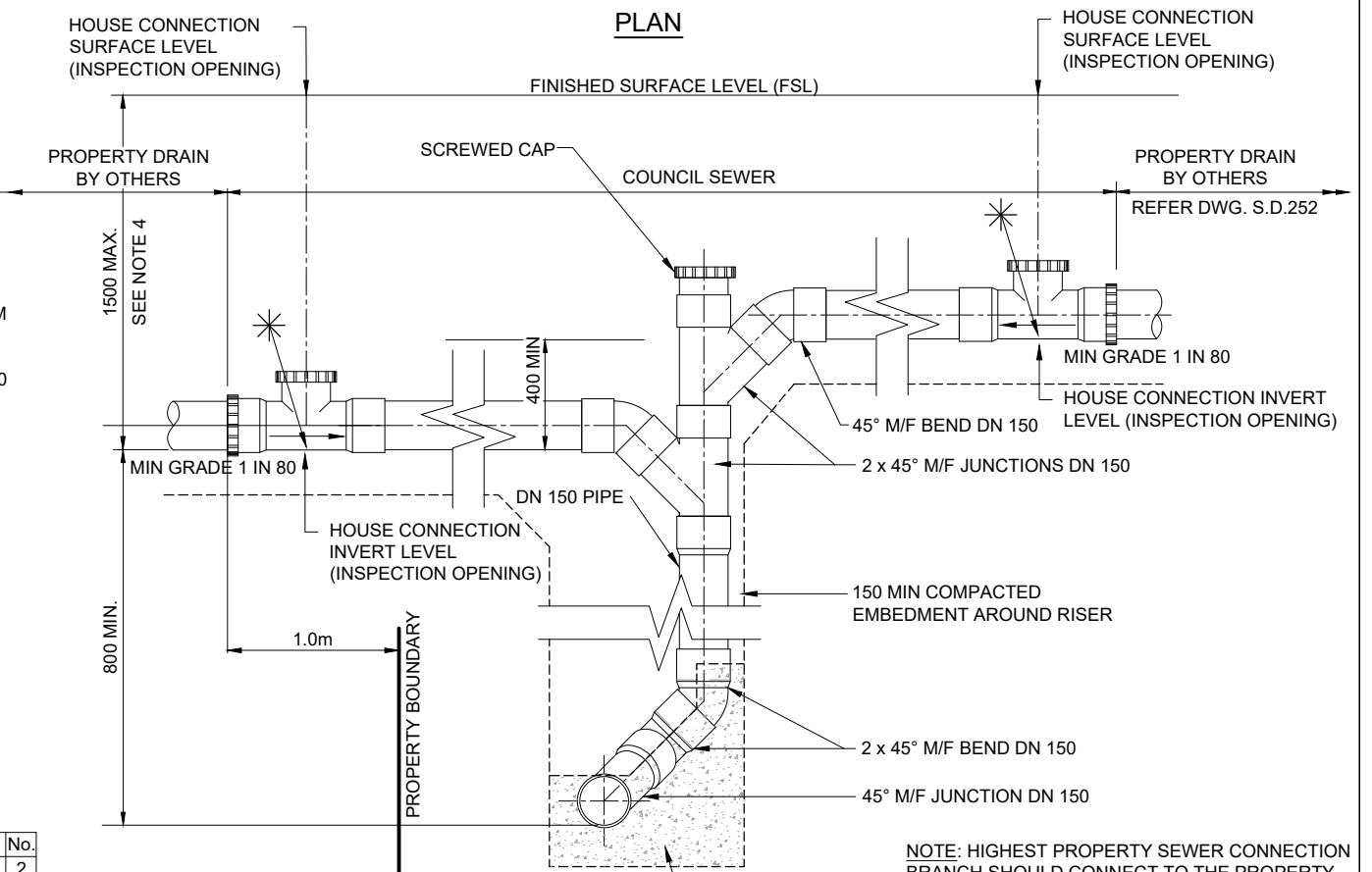
ITEM	DESCRIPTION	No.
1	SEWER JUNCTION M/F DN 150 45° R.R.J	2
2	SEWER BEND M/F DN 150 45° R.R.J.	3
3	DWV TEST OPENING/INSPECTION TEE/ACCESS FITTING DN 150 F/F	1
4	DWV ACCESS COUPLING DN 150 R.R.J./SPGT WITH CAP	1
5	DN 150 SHORT SEWER PIPE 500mm MAX	2
6	DN 150 SHORT SEWER PIPE CUT TO SUIT	1

EXTRA PARTS LIST-TYPE 'C2'

7	DWV TEST OPENING/INSPECTION TEE/ACCESS FITTING DN 150 F/F	1
8	SEWER JUNCTION M/F DN 150 45° R.R.J	1
9	SEWER BEND M/F DN 150 45° R.R.J.	1
10	DN 150 SHORT SEWER PIPE CUT TO SUIT	1



PLAN



**VERTICAL BRANCH ELEVATION
TYPE 'C2'- DOUBLE CONNECTION
FOR REAR BOUNDARY SEWER ONLY**

NOTE: HIGHEST PROPERTY SEWER CONNECTION BRANCH SHOULD CONNECT TO THE PROPERTY CONTAINING THE SEWER MAIN EASEMENT. (THE LOWEST PROPERTY SEWER CONNECTION BRANCH SHOULD CONNECT TO THE PROPERTY NOT CONTAINING THE SEWER MAIN EASEMENT).

ISSUE	AMENDMENT DETAILS	INITIALS	DATE
D	NOTES AMENDED	S.K.J	03.2019
C	NOTE No.4 AMENDED & PLAN FORM UPGRADED	G.P.C.	06.2015
B	CONNECTION TYPE 'C2' & NOTE ADDED	G.P.C.	05.2009
A	ORIGINAL ISSUE	J.P.	05.2006

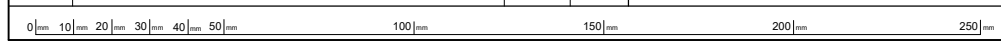


DESIGN UNIT

COUNCIL OFFICES
TUMBULGUM ROAD,
MURWILLUMBAH,
NEW SOUTH WALES 2484
PHONE 02 6670 2400
FAX 02 6672 7513
WEBSITE www.tweed.nsw.gov.au

DESIGN ENGINEER	<i>[Signature]</i> DATE 11.05.15
DESIGN MANAGER	<i>[Signature]</i> DATE 15.05.15
DRAWN	ENGINEERING & OPERATIONS DESIGN UNIT
SCALE	1:25 (A3)

PROJECT:	SEWERAGE WORKS STANDARDS	DRAWING NUMBER:	S.D. 251
PLAN TITLE:	PROPERTY CONNECTION DETAILS TYPE 'C1' & TYPE 'C2'		JUNE 2015



ACAD FILE No: G:_AAA TSC STANDARD DRAWINGS\200 SEWERAGE WORKS\S.D.251 (June-15 Rev C).dwg