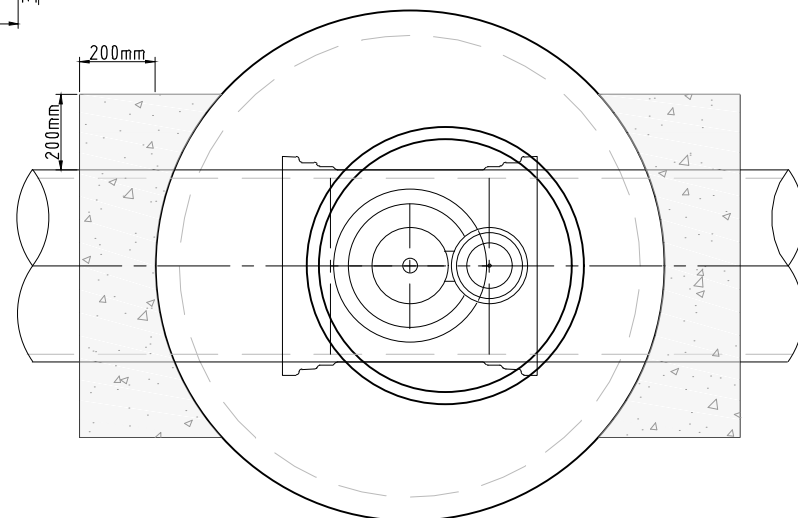


DN200-DN80 MILD STEEL FUSION COATED ADAPTOR FL

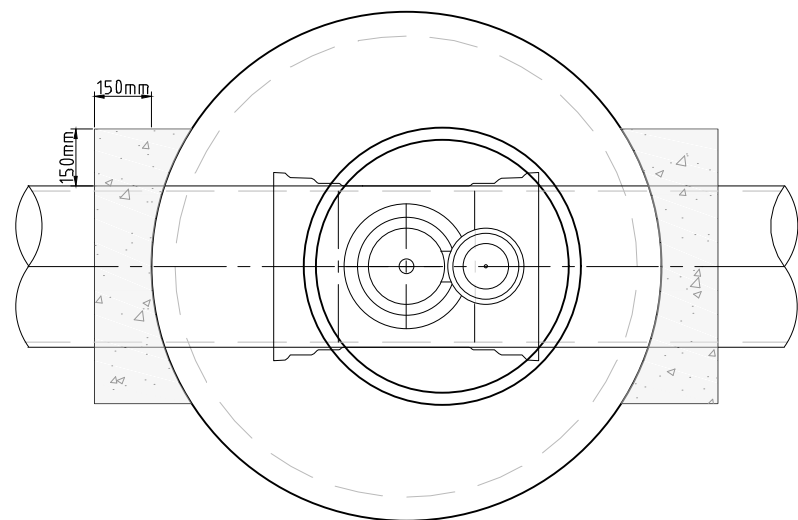
DETAIL 1 NTS

NOTES

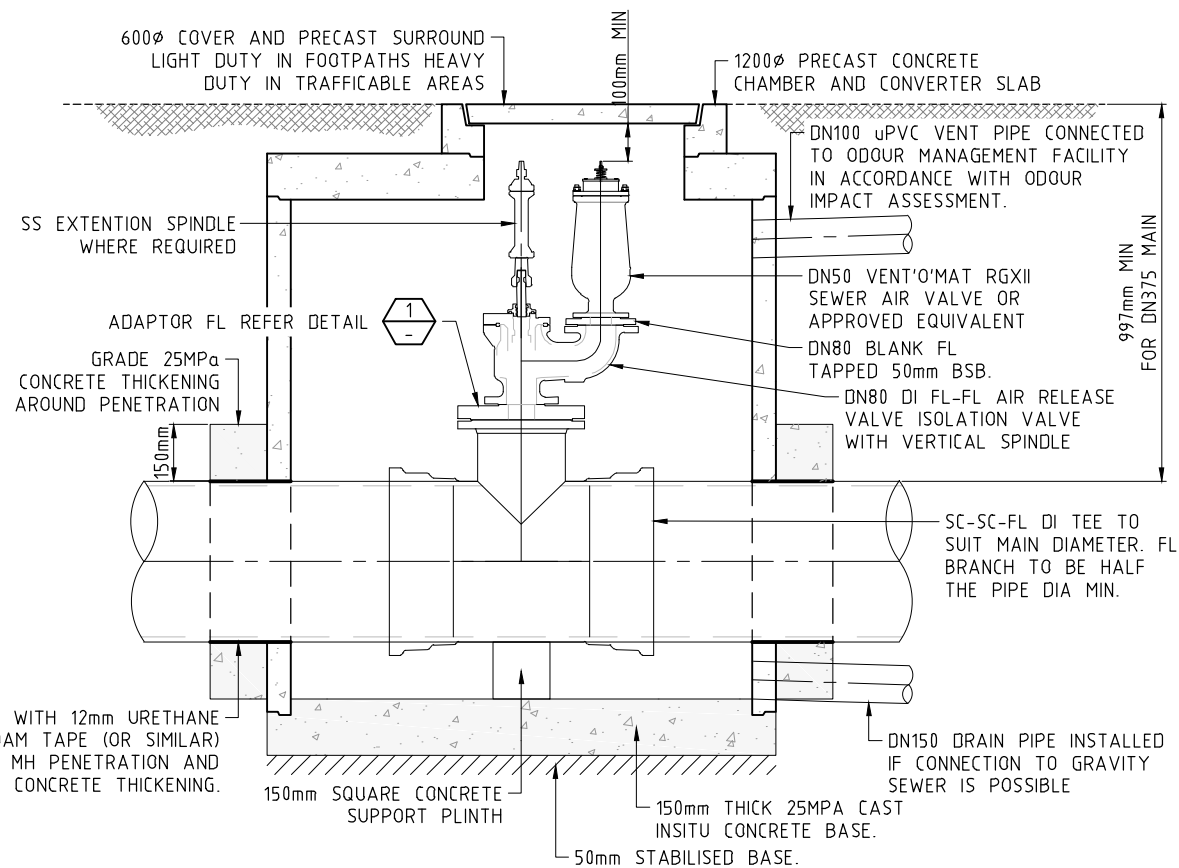
1. MANHOLES INTERNAL CONCRETE SURFACES TO BE COATED WITH SIKA SIKAGARD 62 OR FOSROC NITOMORTAR ELS OR APPROVED EQUIVALENT.
2. MANHOLE COVERS TO HAVE PAINTED STENCIL MARKING "SEWER A.V."
3. ADAPTOR FL CAN BE FABRICATED TO SUIT ANY PIPE AND AIR VALVE DIAMETER.
4. FOR MAINS LARGER THAN DN750 OR WITH A FLOW VELOCITY GREATER THAN 2m/s, AIR RELEASE VALVE SHALL BE INDIVIDUALLY DESIGNED.



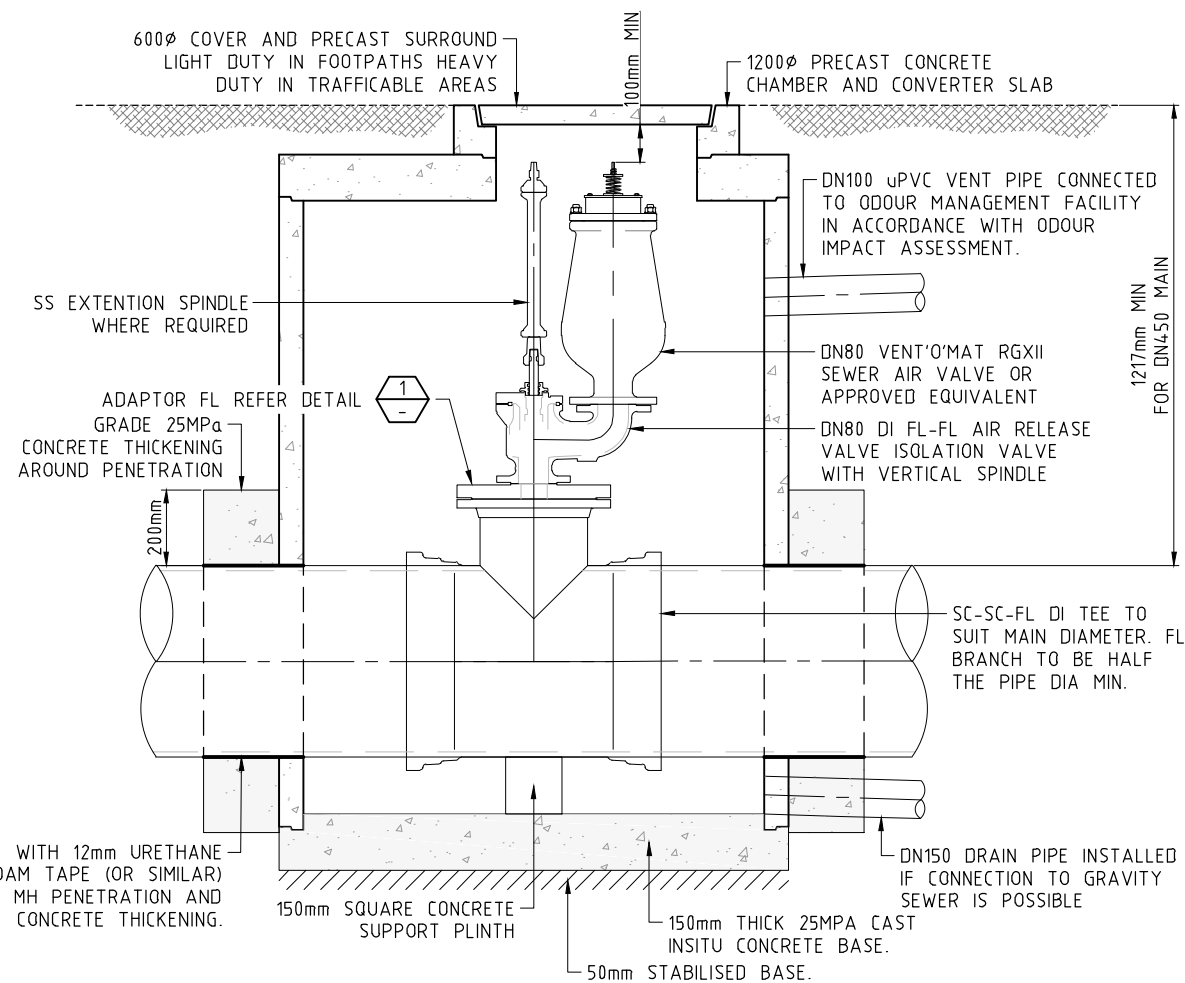
DN80 AIR RELEASE VALVE SUITABLE FOR MAINS ≥450 - PLAN
SCALE (A3) : 1:20



DN50 AIR RELEASE VALVE SUITABLE FOR MAINS ≤375 - PLAN
SCALE (A3) : 1:20



DN50 AIR RELEASE VALVE SUITABLE FOR MAINS ≤375 - ELEVATION
SCALE (A3) : 1:20



DN80 AIR RELEASE VALVE SUITABLE FOR MAINS ≥450 - ELEVATION
SCALE (A3) : 1:20

ISSUE	AMENDMENT DETAILS	DRAWN	CHECK	DATE	# USE FIGURED DIMENSIONS ONLY. DO NOT SCALE.
C	CHANGE TO AIR RELEASE VALVE AND ISOLATION VALVE	J.A.G.	A.A.	11.2020	
B	THICKENING TO PENETRATION ADDED. PLAN FORM UPDATED	J.M.M.	A.A.	06.2017	
A	ORIGINAL ISSUE	-	-	05.2006	

DESIGN UNIT

COUNCIL OFFICES
TUMBULGUM ROAD,
MURWILLUMBAH NSW 2484.

PHONE 02 66702400
FAX 02 66727513
WEBSITE www.tweed.nsw.gov.au



DESIGN ENGINEER	DATE 11.2020	
DESIGNED	A.A.	11.20
DRAWN	J.A.G.	11.20
CHECKED	A.A.	11.20
HORIZONTAL DATUM	MGA	NORTHING
VERTICAL DATUM	AHD	R.L.

PROJECT: SEWERAGE RETICULATION STANDARDS

PLAN TITLE:
DN50 & DN80 AUTOMATIC AIR RELEASE VALVE FOR USE IN DIFFICULT TO ACCESS LOCATIONS OR SPECIFIC APPLICATIONS

PROJECT NUMBER:

S.D.242

DRAWING NUMBER

S.D.242

ISSUE

C