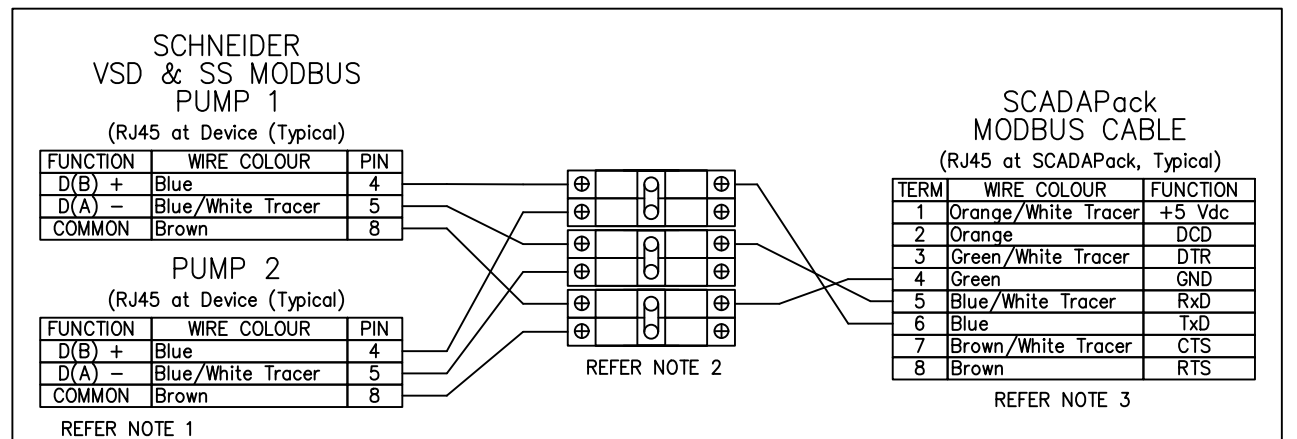
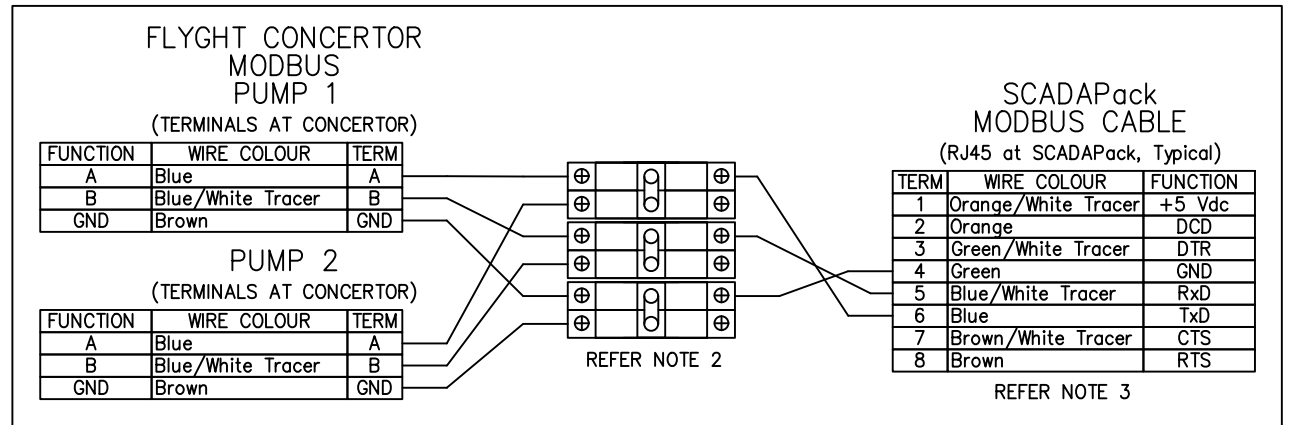
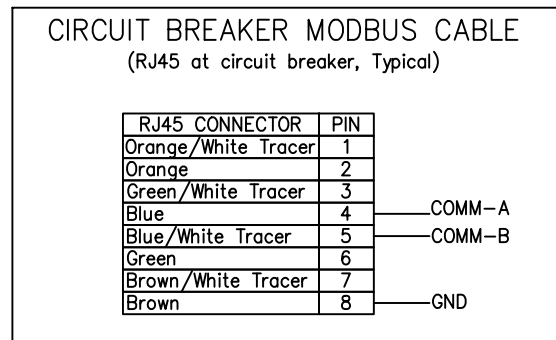
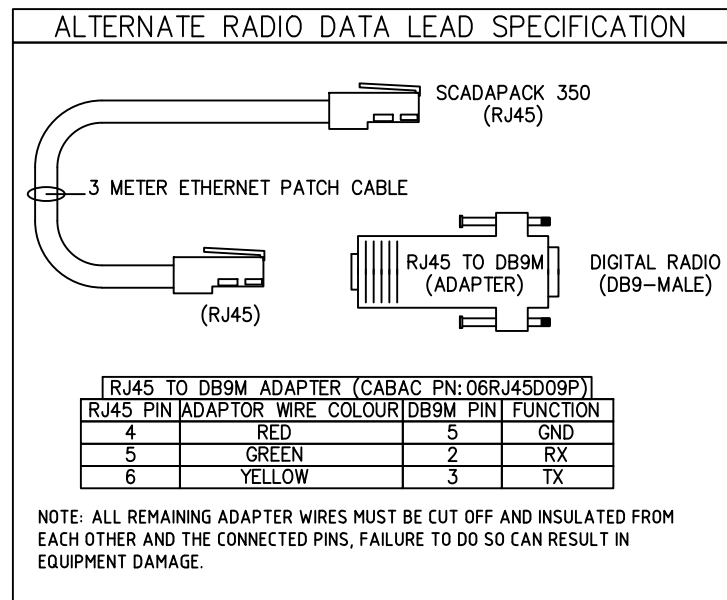
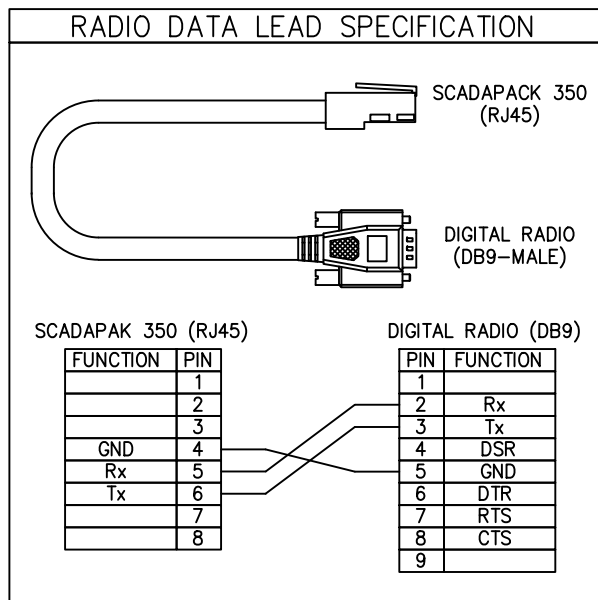
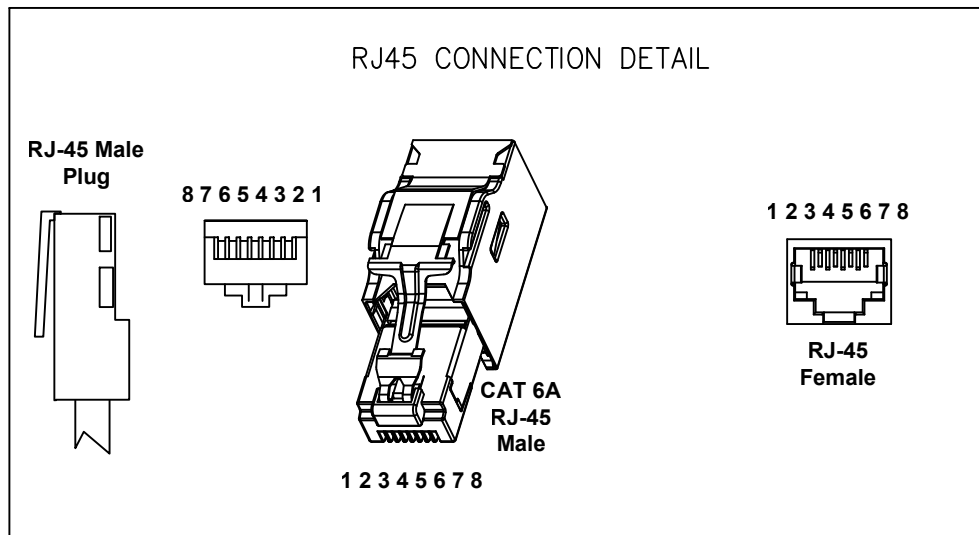
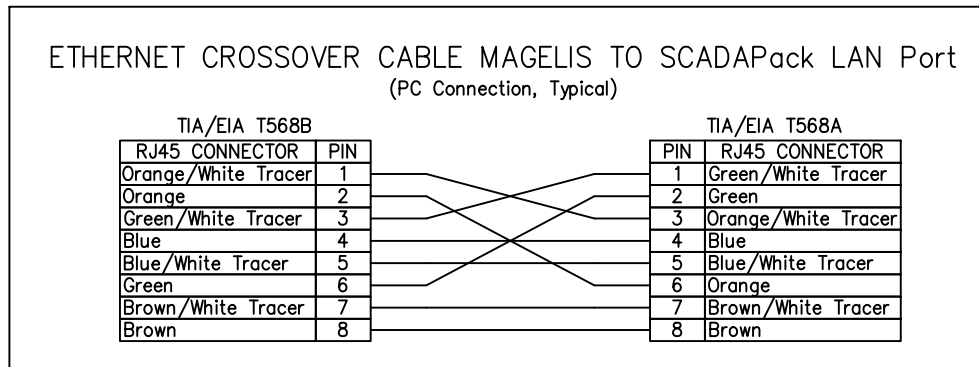
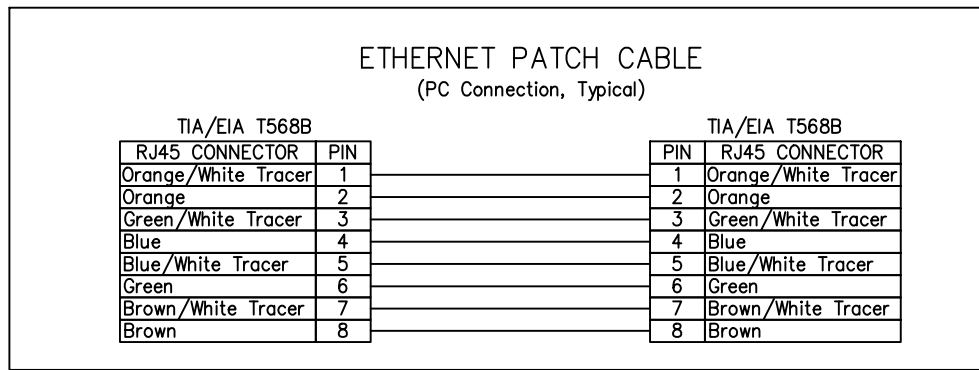


1100
1101
1102
1103
1104
1105
1106
1107
1108
1109
1110
1111
1112
1113
1114
1115
1116
1117
1118
1119
1120
1121
1122
1123
1124
1125
1126
1127
1128
1129
1130
1131
1132
1133
1134



NOTE: RS485 wiring needs to use shielded cable. The shield should be connected to chassis ground at one point. Improperly shielding the cable may result in the installation not complying with Federal Communications Commission (FCC) or Department of Communications (DOC) radio interference regulations.

Excerpt - 7.4.2 P.31 SCADAPack_357E_Hardware_Manual

The signal grounds of the RS485 devices in the network are not connected together but instead are referenced to their respective incoming electrical grounds. The grounds of the RS485 devices on the network need to be within several volts of each other. Controller ground is connected to the chassis. Excerpt - 7.4.2.2 - P.33 SCADAPack_357E_Hardware_Manual

NOTE 1: OTHER PINS NOT SHOWN ON VSD & SS
NOTE 2: TERMINALS ARE LINKED
NOTE 3: USE COMM PORT 2 ON SCADAPACK REFER SD-820-09 FOR DETAILS

ISSUE	AMENDMENT DETAILS	Drawn	Checked	Approved	Date
00	ORIGINAL ISSUE			D.F	3.8.12
01	AMENDED ISSUE RELEASED FOR PUBLICATION	E.K	P.B	D.F	13.08.13
02	AMENDED RADIO LEAD & ADDED ALTERNATE RADIO LEAD	E.K	P.B	D.F	27.04.15
03	ADDED ALTERNATE CONNECTIONS FOR CONCERTORS	C.N	P.B	J.G	02.07.18
04	UPDATED VSD CONNECTIONS CORRECT GND TERMINAL FROM PIN 8	P.B	M.G	D.F	14.02.19
05	UPDATED VSD CONNECTIONS CORRECT GND TERMINAL FROM PIN 8	P.B	M.G	D.F	14.02.19
06	UPDATED T568 ETHERNET CONNECTIONS/COLOURS + OTHERS	P.B	D.R	J.G	09.07.20



ELECTRICAL UNIT
COUNCIL OFFICES
ALTONA ROAD,
CUDDGEN NSW 2487.
PHONE 02 66740342
FAX 02 66741069
WEBSITE www.tweed.nsw.gov.au

DESIGNED:	
DRAWN:	
APPROVED:	
SCALE	NTS
ACAD FILE No.:	

PROJECT:	SEWAGE PUMP STATIONS ELECTRICAL STANDARD DRAWINGS
PLAN TITLE:	MODBUS & COMMUNICATION CONNECTIONS & GA

DRAWING NUMBER: SD-820/11	
SHEET	11 OF 19
REV	06
DATE	09/07/2020