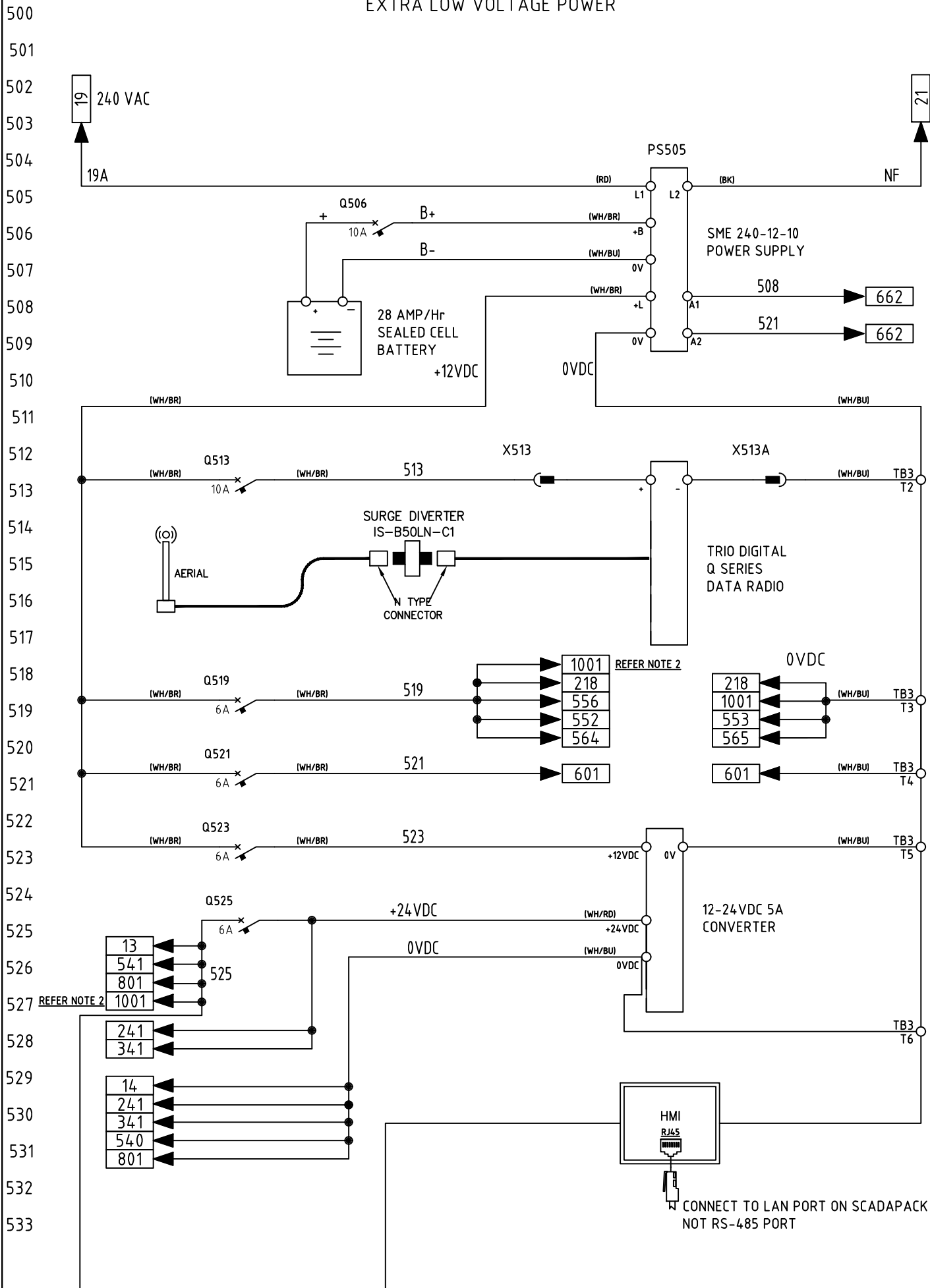
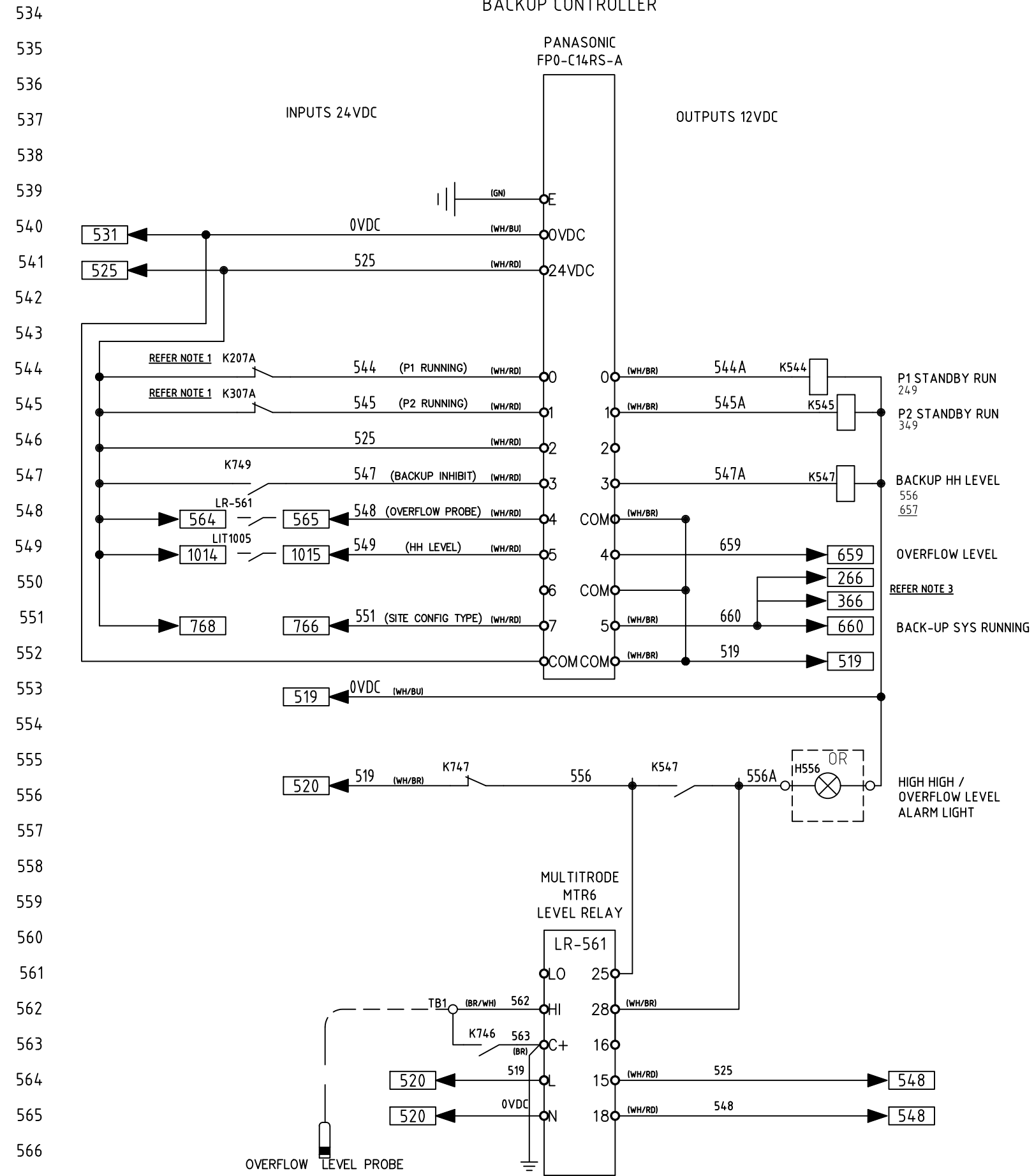


EXTRA LOW VOLTAGE POWER



BACKUP CONTROLLER



NOTE 1: FOR CONCERTOR SPS, K207A BECOMES RELAY K229 AND K307A BECOMES K329. FUNCTIONALITY AND WIRING REMAINS THE SAME.  
 NOTE 2: 12VDC, 1001 REFERENCES DRAWING SD\_820\_10 (ULTRASONIC LEVEL SENSOR). 24VDC, 1001 REFERENCES DRAWING SD\_820A\_10 (PRESSURE LEVEL SENSOR). REFER TO APPROPRIATE DRAWING DEPENDING ON SITE.  
 NOTE 3: SPEED REFERENCE FOR BACKUP CONTROLLER FOR VSD ONLY, WIRE ONLY ON SD-820/2B, SD-820/2C, SD-820/3B, SD-820/3C RELAY K266

ISSUE	AMENDMENT DETAILS	Drawn	Checked	Approved	Date
02	CHANGE OF RUNNING FEEDBACK CONTACTS (207A,307A,407A)	E.K	P.B	D.F	27.04.15
03	ADDITION OF SITE CONFIG INPUT TO BACK UP CONTROLLER	E.K	P.B	D.F	27.04.15
04	ALTISTART 22 ADDED TO STANDARD DRAWINGS	M.T.	E.K.	J.G	01.03.16
05	REMOVED PUMP 3	C.N	P.B		12.07.18
06	NAME CHANGES AND FIXES AND INTEGRATION OF PRESSURE SEN	P.B	M.G	D.F	18.02.19
07	ADDED VSD PRESENT SPEED REF FOR BACKUP CONTROLLER RUN	RBH	P.B	D.F	24.01.20
08	AMENDED NOTE 3 AND NAMING FOR 24VDC CONVERTER	P.B	D.R	J.G	29.07.20

**ELECTRICAL UNIT**  
 COUNCIL OFFICES  
 ALTONA ROAD,  
 CUDGEN NSW 2487.  
 PHONE 02 66740342  
 FAX 02 66741069  
 WEBSITE www.tweed.nsw.gov.au

DESIGNED:	
DRAWN:	
APPROVED:	
SCALE NTS	
ACAD FILE No.:	

PROJECT:	SEWAGE PUMP STATIONS ELECTRICAL STANDARD DRAWINGS
PLAN TITLE:	BACK-UP CONTROLLER TELEMETRY & ELV SUPPLY

DRAWING NUMBER: <b>SD-820/05</b>	
SHEET	05 OF 19
REV	08
DATE	29/07/2020